

# CH 系列 氣壓夾爪

series AIR CHUCKS



## 雙動夾爪氣缸 Double acting air chuck cylinders

<b>CHV</b>	V型開口夾 AIR CHUCKS-FULCRUM TYPE	
<b>CHU</b>	U型平行夾 AIR CHUCKS-PARALLEL TYPE	

- 一律內附磁性感應。
- 可搭配滑台氣缸、導桿缸、旋轉缸做夾取作業。
- CT series with magnetic piston is standard accessory.
- There are 8 different with light weight and compact body design, type of air chucks.
- The air chucks mounting housing from three direction.
- Sensor mounted in the groove of the air chucks body.
- Compact body has high holding force.

## 規格表 Specifications

型號 Type		CHV				CHU			
氣缸內徑 Bore sizes (mm)		φ 16	φ 20	φ 25	φ 32	φ 16	φ 20	φ 25	φ 32
理論把持力矩 M(N.m) Holding moment	開 Open	0.8*p	1.7*p	3.4*p	6.1*p	-	-	-	-
	閉 Close	1.1*p	2.3*p	4.3*p	8.1*p	-	-	-	-
理論把持力矩 P=0.5MPa (N) Holding force L=30mm	開 Open	-	-	-	-	18	35	60	85
	閉 Close	-	-	-	-	24	46	75	100
最大臂長 Max. clamp length (mm)		40	60	70	85	40	60	70	85
夾手開合寬度 Opening stroke (mm)		-				8	12	14	16
夾手開合角度 Angle		-10° ~ +30°				-			
工作媒體 Power fluid		已濾清之壓縮空氣(潤滑或未潤滑) Filtered air with or without lubrication							
使用壓力 The range of pressure (kgf/cm <sup>2</sup> )		1 ~ 7							
使用溫度 The range of temperature (°C)		0 ~ 60							

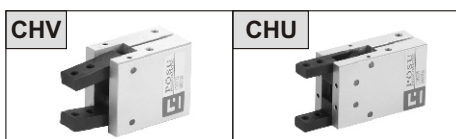
## 訂購代號 Order No.

**CHV 25 LN-15T × 2**

● 內徑 Bore

16	φ 16
20	φ 20
25	φ 25
32	φ 32

● 型式 Type



● 感應器數量 Quantity

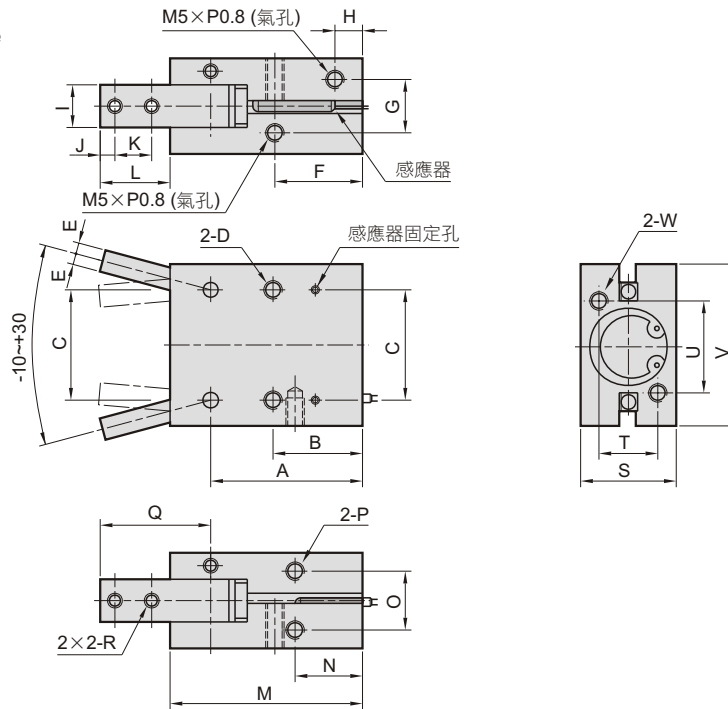
● 近接開關 Sensor switch



Voltage range: DC3~120V, AC3~120V  
Current range: 3~50mA

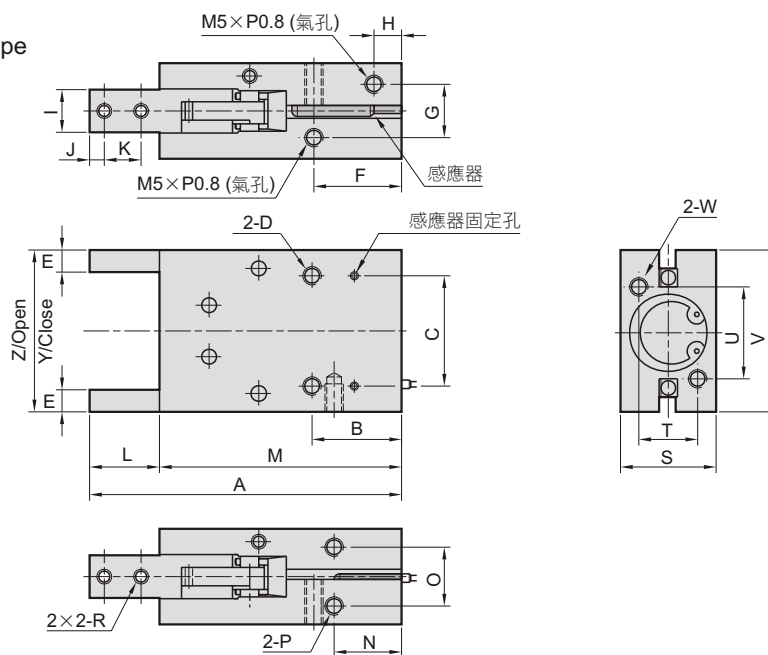
尺寸圖 Dimension  $\phi 16 \sim \phi 32$

**CHV** V型開口夾  
Air chucks-fulcrum type



Type	A	B	C	D	E	F	G	H	I	J	K	L	M	N	O	P	Q	R	S	T	U	V	W
CHV16	38	25.5	24	M4×P0.7 深7	3	25.5	12	7.5	9	3	8	17.5	45.5	21	14	M4×P0.7 深7	25	M3×P0.5	22	14	26	34	M4×P0.7 深7
CHV20	42.5	28	30	M5×P0.8 深8	3.5	28.0	13	8	12	4	10	22	53	22	16	M5×P0.8 深8	32.5	M4×P0.7	26	16	35	45	M5×P0.8 深8
CHV25	48.5	31.5	36	M6×P1.0 深10	4	31.0	18	9	14	5	12	26	61	24.5	20	M6×P1.0 深10	38.5	M5×P0.8	32	20	40	52	M6×P1.0 深10
CHV32	54	37.5	44	M6×P1.0 深10	5	33.5	24	10	18	6	14	30	68	30	26	M6×P1.0 深10	44	M6×P1.0	40	26	46	60	M6×P1.0 深10

**CHU** U型平行夾  
Air chucks-parallel type



Type	A	B	C	D	E	F	G	H	I	J	K	L	M	N	O	P	R	S	T	U	V	W	Y	Z
CHU16	73.5	25.5	24	M4×P0.7 深7	5	25.5	12	7.5	11	3	8	15	58.5	21	14	M4×P0.7 深7	M3×P0.5	22	14	26	34	M4×P0.7 深7	25	33
CHU20	88.5	28	30	M5×P0.8 深8	6	28.0	13	8	12	4	10	19	69.5	22	16	M5×P0.8 深8	M4×P0.7	26	16	35	45	M5×P0.8 深8	32	44
CHU25	103.5	31.5	36	M6×P1.0 深10	8	31.0	18	9	14	5	12	24	79.5	24.5	20	M6×P1.0 深10	M5×P0.8	32	20	40	52	M6×P1.0 深10	37	51
CHU32	119	37.5	44	M6×P1.0 深10	9	33.5	24	10	18	7	15	31	88	30	26	M6×P1.0 深10	M6×P1.0	40	26	46	60	M6×P1.0 深10	44	60