



雙動薄型油壓缸 Double acting compact hydraulic cylinders

HJB	軸向安裝型 FRONT MOUNTING	
HJB..D	雙軸軸向安裝型 FRONT MOUNTING - DOUBLE END ROD TYPE	
HJQ	側向安裝型 SIDE MOUNTING	
HJQ..D	雙軸側向安裝型 SIDE MOUNTING - DOUBLE END ROD TYPE	

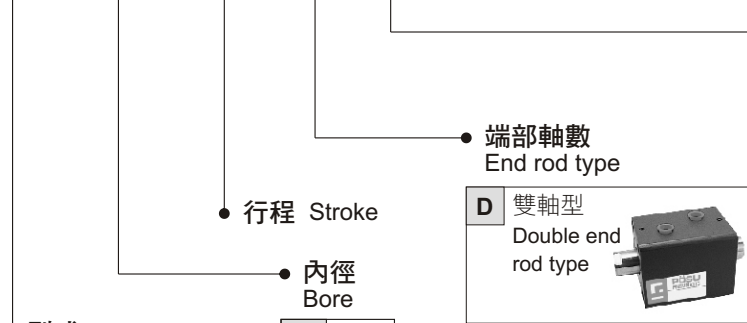
- 薄型油壓缸比一般油壓缸較節省空間，相當適合用於小型機械或空間受到限制的場合。
- 本系列油壓缸內壁經特殊加工處理，表面光滑，增長使用壽命。
- 外型設計輕巧、美觀堅固。
- Short stroke and compact body design minimizes total length.
- High quality and durability.

規格表 Specifications

油壓缸內徑 Bore sizes of cylinder (mm)	φ 32, φ 40, φ 50, φ 63, φ 80
行程範圍 The range of stroke (mm)	50
工作媒體 Power fluid	已濾清之標準液壓油 Filtered hydraulic oil
材質 Material	碳鋼 Carbon steel
使用壓力範圍 The range of pressure (kgf/cm ²)	140
使用溫度範圍 The range of temperature (°C)	-10 ~ 60

訂購代號 Order No.

HJB - **50** × **25** - **D** - **B**



● 軸端型式 Rod end type



HJB	
HJQ	

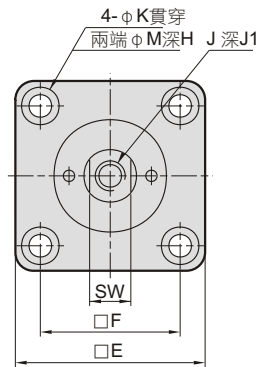
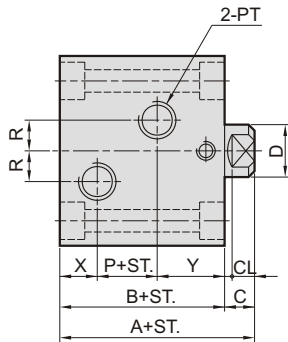
32	φ 32
40	φ 40
50	φ 50
63	φ 63
80	φ 80

標準行程 Standard stroke

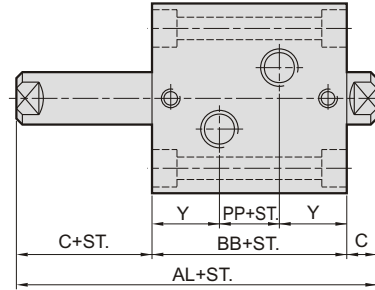
Type	stroke Bore	stroke									
		5	10	15	20	25	30	35	40	45	50
HJB	φ 32	●	●	●	●	●	●	-	-	-	-
	φ 40	●	●	●	●	●	●	-	●	-	●
	φ 50	●	●	●	●	●	●	-	●	-	●
	φ 63	●	●	●	●	●	●	-	●	-	●
	φ 80	●	●	●	●	●	●	-	●	-	●
HJQ	φ 32	-	●	-	●	-	●	-	-	-	-
	φ 40	-	●	-	●	-	●	-	●	-	●
	φ 50	-	●	-	●	-	●	-	●	-	●
	φ 63	-	●	-	●	-	●	-	●	-	●

尺寸圖 Dimension $\phi 32 \sim \phi 80$

HJB 軸向安裝型
Front mounting



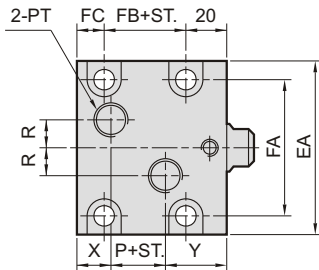
HJB-D 雙軸軸向安裝型
Front mounting -
double end rod type



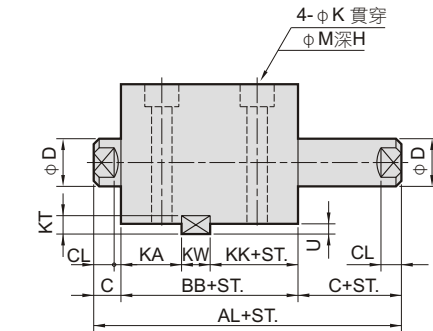
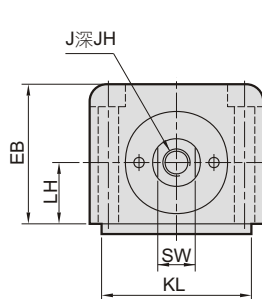
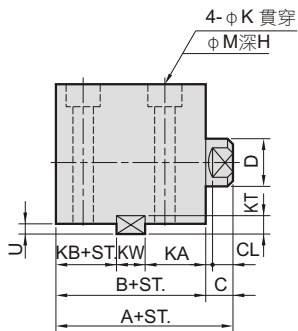
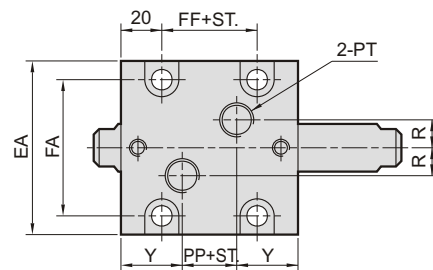
ST.=stroke

Bore	A	AL	B	BB	C	CL	D	E	F	H	J	J1	K	M	P	PP	PT	R	SW	X	Y
$\phi 32$	64	89	54	69	10	7	20	62	47	6.5	M12×P1.75	15	6.6	11	14	13	PT 1/4	10	17	12	28
$\phi 40$	65	90	55	70	10	7	25	70	52	9	M16×P2.0	20	9	14	15	14	PT 1/4	10	22	12	28
$\phi 50$	71	106	60	75	11	8	30	80	58	11	M20×P2.5	25	11	18	18	16	PT 1/4	10	27	12.5	29.5
$\phi 63$	80	120	67	82	13	10	35	94	69	13	M27×P3.0	35	14	20	20	20	PT 3/8	10	32	16	31
$\phi 80$	95	140	78	93	17	14	45	114	86	15	M30×P3.5	35	16	23	27	27	PT 3/8	15	41	18	33

HJQ 側向安裝型
Side mounting



HJQ-D 雙軸側向安裝型
Side mounting -
double end rod type



ST.=stroke

右列行程之本體長度 "B" 及 "BB" 尺寸相同 : (5,10)(15,20)(25,30)(35,40)(45,50)

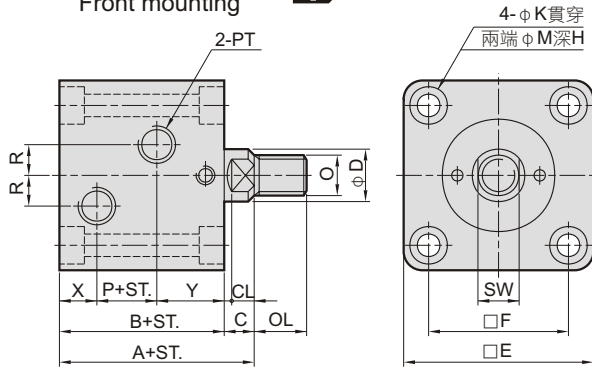
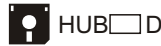
The length "B" 及 "BB" of cylinder body is same of the stroke: (5,10)(15,20)(25,30)(35,40)(45,50)

Bore	A	AL	B	BB	C	CL	D	EA	EB	FA	FB	FC	FF	H	J	JH	K
$\phi 32$	64	89	54	69	10	7	20	70	56	56	24	10	32	9	M12×P1.75	15	9
$\phi 40$	65	90	55	70	10	7	25	80	64	62	23	12	32	11	M16×P2.0	20	11
$\phi 50$	71	106	60	75	11	8	30	94	74	74	27	13	35	13	M20×P2.5	25	14
$\phi 63$	80	120	67	82	13	10	35	114	89	90	32	15	42	15	M27×P3.0	35	16

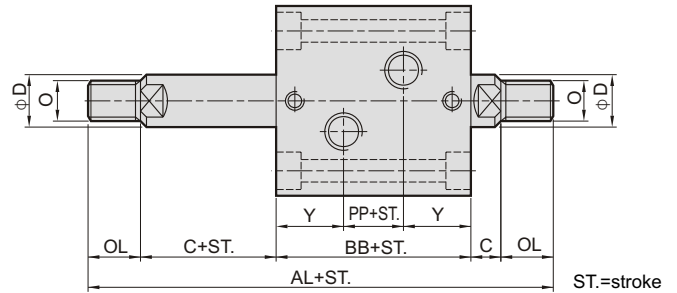
Bore	KA	KB	KK	KL	KW	KT	LH	M	P	PP	PT	R	SW	U	X	Y
$\phi 32$	28	14	29	63	12	8	25	14	14	13	PT 1/4	10	17	4.5	12	28
$\phi 40$	28	15	30	70	12	8	29	18	15	14	PT 1/4	10	22	4.5	12	28
$\phi 50$	29	17	32	80	14	9	34	20	18	16	PT 1/4	10	27	5	12.5	29.5
$\phi 63$	31	20	35	100	16	10	42	23	20	20	PT 3/8	10	32	5.5	16	31

尺寸圖 Dimension $\phi 32 \sim \phi 80$

HJB-B 軸向安裝型
Front mounting

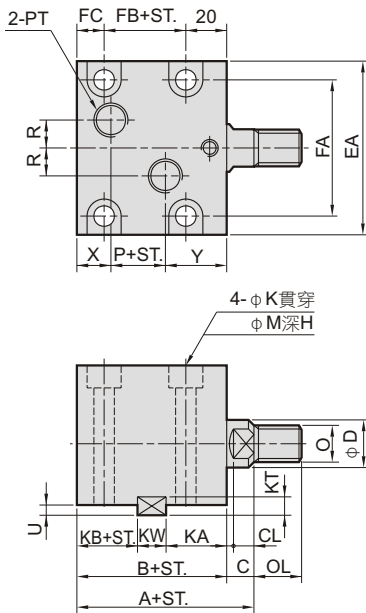


HJB-DB 雙軸軸向安裝型
Front mounting -
double end rod type

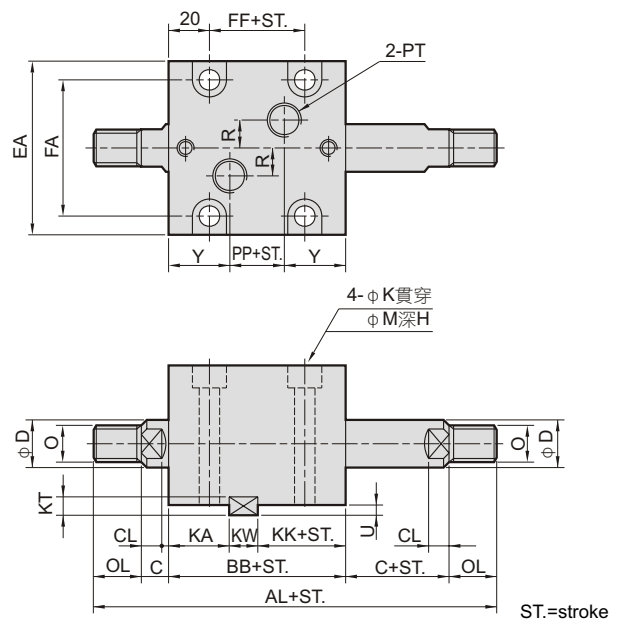


Bore	A	AL	B	BB	C	CL	D	E	F	H	K	M	O	OL	P	PP	PT	R	SW	X	Y
$\phi 32$	64	89	54	69	10	7	20	62	47	6.5	6.6	11	M16×P1.5	25	14	13	PT 1/4	10	17	12	28
$\phi 40$	65	90	55	70	10	7	25	70	52	9	9	14	M22×P1.5	30	15	14	PT 1/4	10	22	12	28
$\phi 50$	71	106	60	75	11	8	30	80	58	11	11	18	M26×P1.5	35	18	16	PT 1/4	10	27	12.5	29.5
$\phi 63$	80	120	67	82	13	10	35	94	69	13	14	20	M30×P1.5	40	20	20	PT 3/8	10	32	16	31
$\phi 80$	95	140	78	93	17	14	45	114	86	15	16	23	M39×P1.5	45	27	27	PT 3/8	15	41	18	33

HJQ-B 側向安裝型
Side mounting



HJQ-DB 雙軸側向安裝型
Side mounting -
double end rod type



右列行程之本體長度 "B" 及 "BB" 尺寸相同 : (5,10)(15,20)(25,30)(35,40)(45,50)
The length "B" 及 "BB" of cylinder body is same of the stroke: (5,10)(15,20)(25,30)(35,40)(45,50)

Bore	A	AL	B	BB	C	CL	D	EA	EB	FA	FB	FC	FF	H	K	KA	KB	KK
$\phi 32$	64	89	54	69	10	7	20	70	56	56	24	10	32	9	9	28	14	29
$\phi 40$	65	90	55	70	10	7	25	80	64	62	23	12	32	11	11	28	15	30
$\phi 50$	71	106	60	75	11	8	30	94	74	74	27	13	35	13	14	29	17	32
$\phi 63$	80	120	67	82	13	10	35	114	89	90	32	15	42	15	16	31	20	35

Bore	KL	KW	KT	LH	M	O	OL	P	PP	PT	R	SW	U	X	Y
$\phi 32$	63	12	8	25	14	M16×P1.5	25	14	13	PT 1/4	10	17	4.5	12	28
$\phi 40$	70	12	8	29	18	M22×P1.5	30	15	14	PT 1/4	10	22	4.5	12	28
$\phi 50$	80	14	9	34	20	M26×P1.5	35	18	16	PT 1/4	10	27	5	12.5	29.5
$\phi 63$	100	16	10	42	23	M30×P1.5	40	20	20	PT 3/8	10	32	5.5	16	31