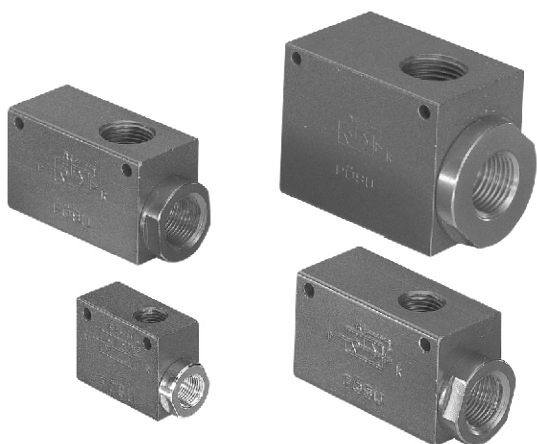


Q

系列 急速排氣閥

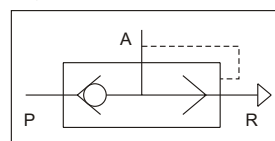
PÖSU
PNEUMATIC

series **QUICK EXHAUST VALVE**

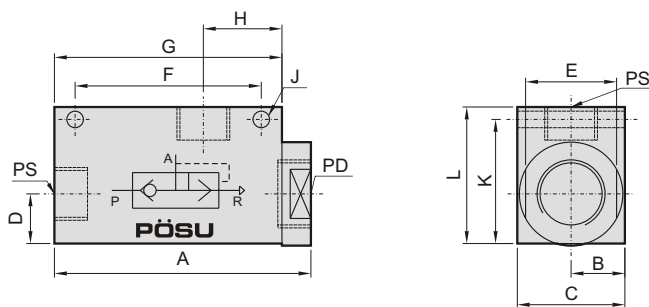


- 此閥可加快氣缸移動速度，由P→A，R自然阻塞，P氣壓源消失時，由A→R迅速排氣。
- This valve can be used to increase the speed of the cylinder. From P to A, R blocked. When pressure source of P is vanished, air quickly exhausted from A to R in order to achieved the purpose of the valve.

閥體 Valve



Q-□



| 訂購標示 How to order | 流量 l/min | 重量 Weight | A | B | C | D | E | F | G | H | J | K | L | PS | PD |
|----------------------|-------------|--------------|----|----|----|----|----|----|----|----|-----|------|------|------|------|
| Q-1/8" | 600 | 40g | 40 | 8 | 16 | 9 | 14 | 26 | 35 | 12 | 3.4 | 22.6 | 26 | 1/8" | 1/8" |
| Q-1/4" | 1450 | 100g | 62 | 13 | 26 | 12 | 22 | 45 | 55 | 19 | 4 | 29.5 | 33.5 | 1/4" | 3/8" |
| Q-3/8" | 1450 | 80g | 62 | 13 | 26 | 12 | 22 | 45 | 55 | 19 | 4 | 29.5 | 33.5 | 3/8" | 3/8" |
| Q-1/2" | 3000 | 240g | 69 | 20 | 40 | 20 | 36 | 51 | 62 | 20 | 4 | 46 | 50 | 1/2" | 1/2" |
| Q-3/4" | 3900 | 230g | 69 | 20 | 40 | 20 | 36 | 51 | 62 | 20 | 4 | 46 | 50 | 3/4" | 3/4" |