

RAH 系列 迴轉氣缸

series ROTARY ACTUATORS



雙動迴轉氣缸 Double acting rotary cylinders

RAH	外軸型迴轉缸 MALE PIVOT GEAR (STANDARD TYPE)	
RAH-D	雙心外軸型迴轉缸 MALE PIVOT GEAR (DOUBLE END ROD TYPE)	
RAF	內孔型迴轉缸 FEMALE PIVOT GEAR	

- 本系列迴轉缸，造型美觀，性能優異，具高扭力。
- 一律附有磁性感應及角度調整裝置。
- The body is manufactured in anodized aluminum alloy, and has been designed looking at the harmonious aesthetic development.
- Pinion and rack produced from carbon steel reduces backlash within the mechanism.
- Rotation adjustment screw.

規格表 Specifications

氣缸內徑 Bore sizes of cylinder (mm)	$\phi 40$	$\phi 63$	$\phi 80$
旋轉角度 Standard rotation	$90 \pm 5^\circ$, $180 \pm 5^\circ$		
轉軸軸徑 Rotating shaft dia. (mm)	$\phi 16$	$\phi 24$	$\phi 28$
轉軸原點 Initial position of slot (mm)	詳見尺寸圖 See dimensional feature		
工作媒體 Power fluid	已濾清之壓縮空氣(潤滑或未潤滑) Filtered air with or without lubrication		
使用壓力範圍 The range of pressure (kgf/cm ²)	1.3 ~ 7		
使用溫度範圍 Ambient temperature (°C)	-10 ~ 60		
允許軸向負荷 Max. allowable axial thrust (kg)	10	12	20

訂購代號 Order No.

RAH - **40** / **90** - **D** - **LN-01A** × **2**

- 感應器數量 Quantity
- 近接開關 Sensor switch

- 雙心轉軸 End rod type

- 旋轉角度 Rotation

90	90°
180	180°

- 內徑 Bore

40	$\phi 40$
63	$\phi 63$
80	$\phi 80$

- 型式 Type



Rotary actuators

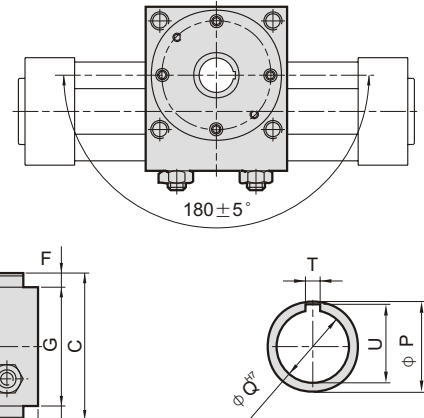
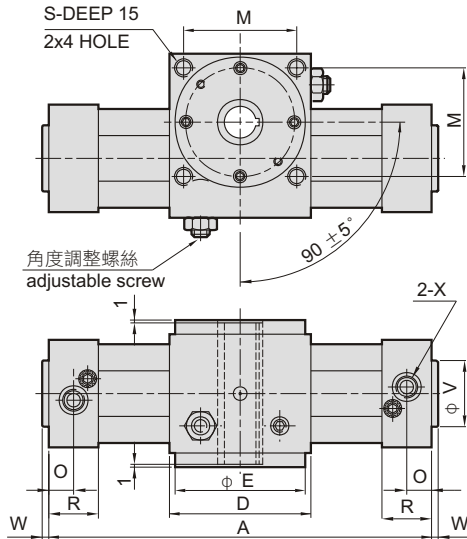
尺寸圖 Dimension $\phi 40 \sim \phi 80$

RAF 內孔型迴轉缸
Female pivot gear



Angle of rotation 90°

Angle of rotation 180°



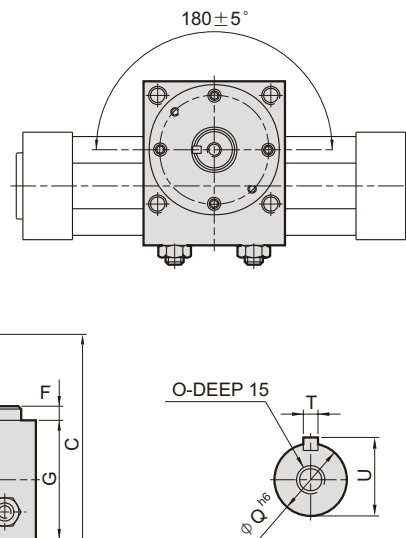
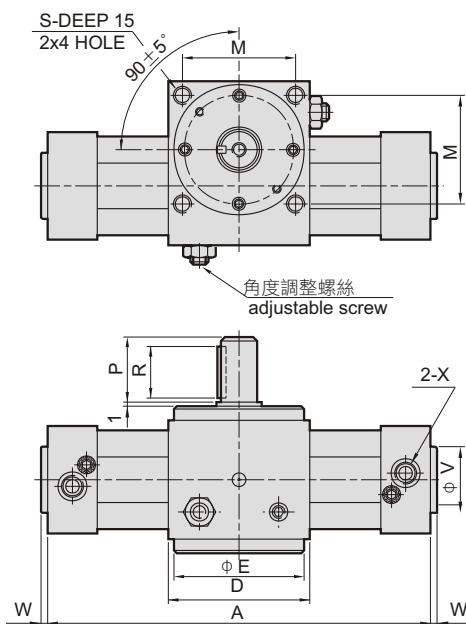
Type	A		C	D	E	F	G	H	J	K	L	M	N	O	P	Q	R	S	T	U	V	W	X	Z
	90°	180°																						
RAF40	263	326	81	75	72	8	65	53	37.5	93	27.5	60	38	15	25	14	30	M6	5	16.5	35	4	G1/4	M6
RAF63	306	377	95	90	82	10	75	75	42.5	110	30	70	56.5	16	30	19	32	M8	6	22	45	5	G3/8	M8
RAF80	343	428	119	105	96	12	95	95	51.5	135	36	82	72	19	35	24	38	M10	6	27.5	45	6	G3/8	M10

RAH 外軸型迴轉缸
Male pivot gear (standard type)



Angle of rotation 90°

Angle of rotation 180°



Type	A		C	D	E	F	G	H	J	K	L	M	N	O	P	Q	R	S	T	U	V	W	X	Z
	90°	180°																						
RAH40	263	326	112	75	72	8	65	53	37.5	93	27.5	60	38	M5	30	16	25	M6	5	18	35	4	G1/4	M6
RAH63	306	377	138	90	82	10	75	75	42.5	110	30	70	56.5	M8	42	24	36	M8	8	27	45	5	G3/8	M8
RAH80	343	428	170	105	96	12	95	95	51.5	135	36	82	72	M8	50	28	45	M10	8	31	45	6	G3/8	M10

迴轉角夾爪增壓缸

Rotary actuators

尺寸圖 Dimension $\phi 40 \sim \phi 80$

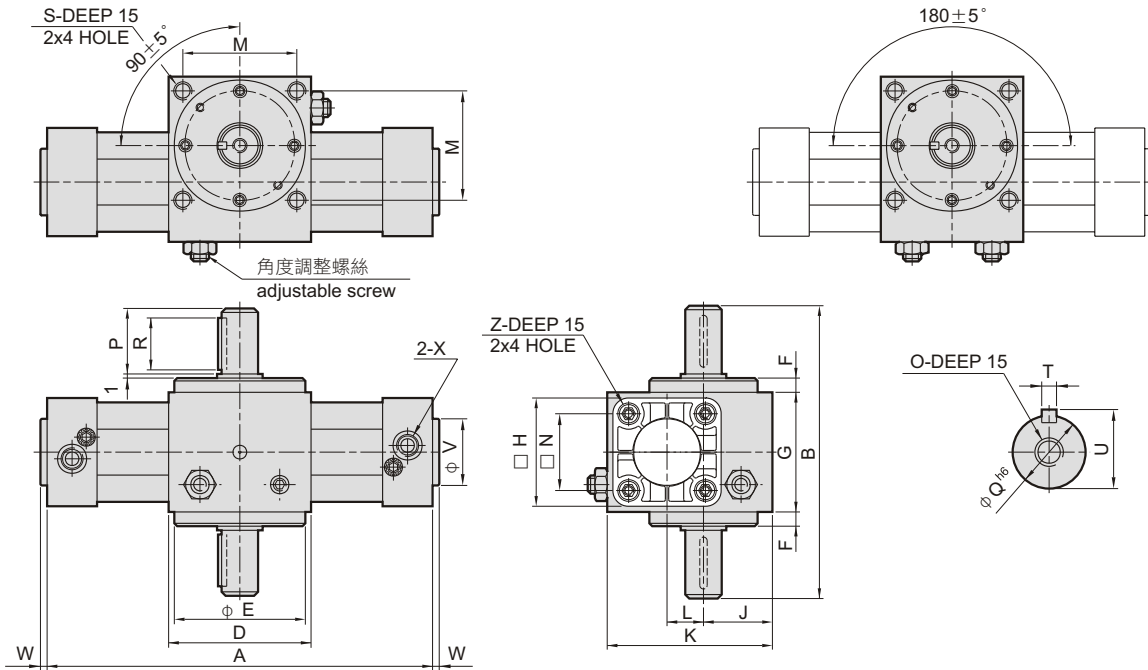
RAH-D 雙心外軸型迴轉缸

Male pivot gear (double end rod type)



Angle of rotation 90°

Angle of rotation 180°



Type	A		B	D	E	F	G	H	J	K	L	M	N	O	P	Q	R	S	T	U	V	W	X	Z
	90°	180°																						
RAH40-D	263	326	143	75	72	8	65	53	37.5	93	27.5	60	38	M5	30	16	25	M6	5	18	35	4	G1/4	M6
RAH63-D	306	377	181	90	82	10	75	75	42.5	110	30	70	56.5	M8	42	24	36	M8	8	27	45	5	G3/8	M8
RAH80-D	343	428	221	105	96	12	95	95	51.5	135	36	82	72	M8	50	28	45	M10	8	31	45	6	G3/8	M10

扭力出力表 Output torque table

