

CD 系列 筆型氣壓缸

series PEN CYLINDERS



- 高品質、耐久性好：氣壓缸採用高級不銹鋼材質，耐磨、耐腐蝕。
- 多樣化固定架。
- 皆附磁性感應。
- High quality-long service life: Hard anodized aluminum cylinder tubes resist corrosion and abrasion.
- Cylinder mountings: Available with amountings for fixed or flexible installation.
- All cylinders with magnet: Piston with magnet is standard accessory in the CD series.

單雙動氣缸 Double-Single acting cylinders

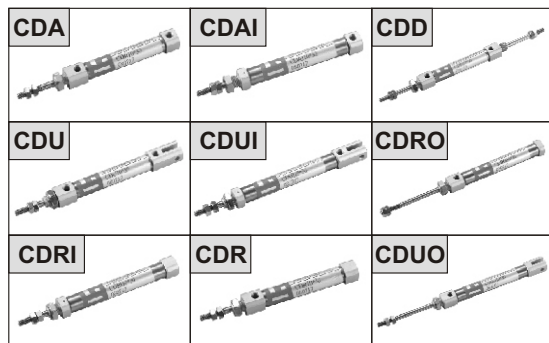
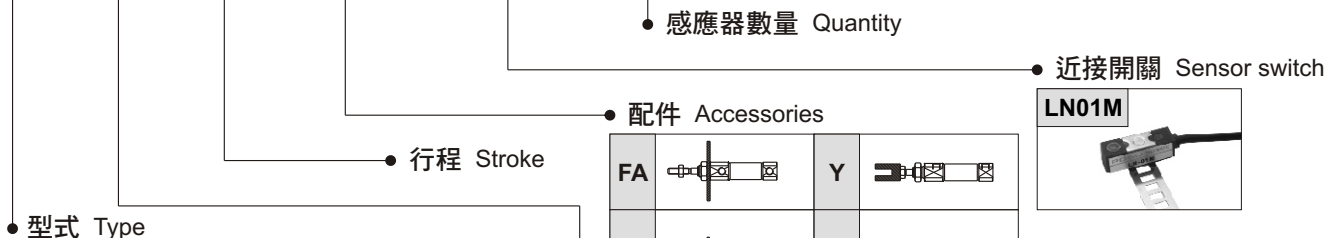
CDAI, CDUI, CDRI	單動常入 (磁性感應) SINGLE ACTING - NORMALLY RETRACTED PISTON ROD TYPE (piston with magnet)	
CDAO, CDUO, CDRO	單動常出 (磁性感應) SINGLE ACTING - NORMALLY EXTENDED PISTON ROD TYPE (piston with magnet)	
CDA	雙動單軸 (磁性感應) DOUBLE ACTING - SINGLE END ROD TYPE (piston with magnet)	
CDU	雙動尾端U座 (磁性感應) DOUBLE ACTING - SINGLE END ROD AND DOUBLE CLEVIS (piston with magnet)	
CDR	雙動尾端進氣 (磁性感應) DOUBLE ACTING - SINGLE END ROD AND PORT LOCATION ON HEAD COVER IN LINE TYPE (piston with magnet)	
CDD	雙動雙軸 (磁性感應) DOUBLE ACTING - DOUBLE END ROD TYPE (piston with magnet)	

規格表 Specifications

氣缸內徑 Bore sizes of cylinder (mm)	φ 6	φ 10	φ 16
單動標準行程 Single acting stroke (mm)	15,30,45,60		
雙動標準行程 Double acting stroke (mm)	15,30,45,60,75,100,125,150,175,200		
工作媒體 Power fluid	已濾清之壓縮空氣(潤滑或未潤滑) Filtered air with or without lubrication		
缸管材質 Material of cylinder barrel	不鏽鋼管 Stainless steel		
最大使用壓力 Max. operation pressure (Kgf/cm ²)	7		
最小使用壓力 Min. operation pressure (Kgf/cm ²)	1.2		0.6
使用溫度範圍 The range of temperature (°C)	-10 ~ 60		

訂購代號 Order No.

CDA - **10** × **60** - **LB-Y** - **LN-01M** × **2**



● 內徑 Bore

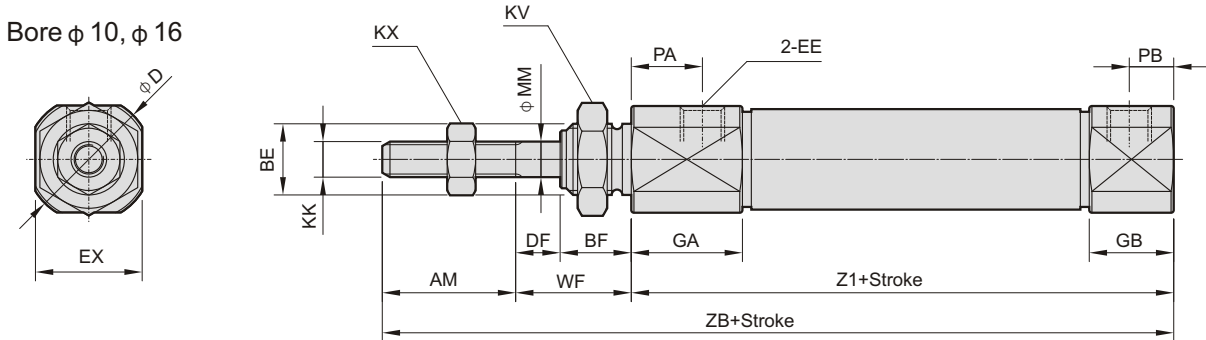
6	φ 6
10	φ 10
16	φ 16

Bore	雙動 double acting				單動 single acting				
	CDA	CDU	CDR	CDD	CDAI	CDUI	CDUO	CDRI	CDD
φ 6	—	—	○	—	—	—	—	○	○
φ 10	○	○	○	○	○	○	○	○	○
φ 16	○	○	○	○	○	○	○	○	○

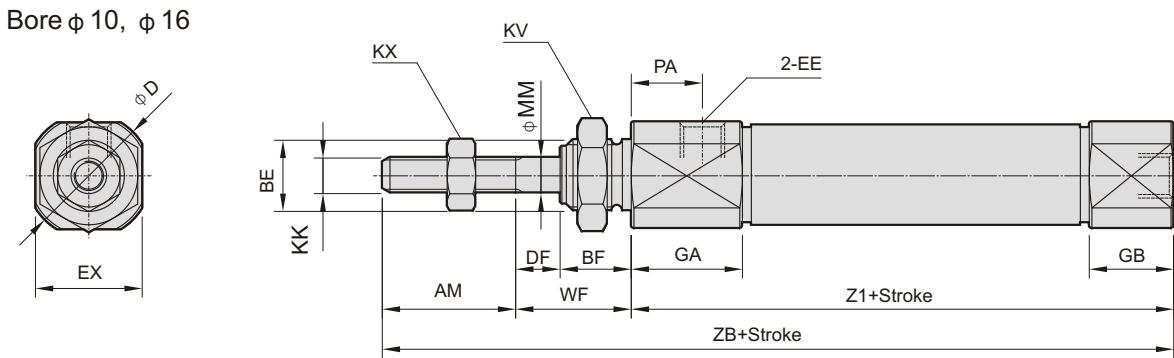
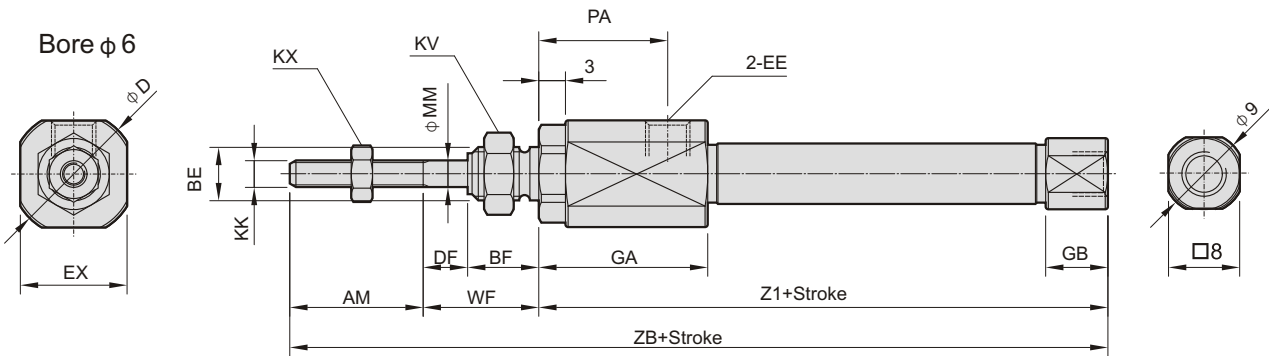
Bore	雙動 double acting			單動 single acting		
	行程 (mm)	行程 (mm)	行程 (mm)	行程 (mm)	行程 (mm)	行程 (mm)
φ 6	15, 30, 45, 60	15, 30, 45, 60	15, 30, 45, 60	15, 30, 45, 60	15, 30, 45, 60	15, 30, 45, 60
φ 10	15, 30, 45, 60, 75, 100, 125, 150	15, 30, 45, 60, 75, 100, 125, 150	15, 30, 45, 60, 75, 100, 125, 150	15, 30, 45, 60, 75, 100, 125, 150	15, 30, 45, 60, 75, 100, 125, 150	15, 30, 45, 60, 75, 100, 125, 150
φ 16	15, 30, 45, 60, 75, 100, 125, 150, 175, 200	15, 30, 45, 60, 75, 100, 125, 150, 175, 200	15, 30, 45, 60, 75, 100, 125, 150, 175, 200	15, 30, 45, 60, 75, 100, 125, 150, 175, 200	15, 30, 45, 60, 75, 100, 125, 150, 175, 200	15, 30, 45, 60, 75, 100, 125, 150, 175, 200

尺寸圖 Dimension $\phi 6 \sim \phi 16$

CDA 雙動單軸(磁性感應)
Double acting - single end rod type (piston with magnet)



CDR 雙動尾端進氣(磁性感應)
Double acting - single end rod and port location on head cover in line type (piston with magnet)

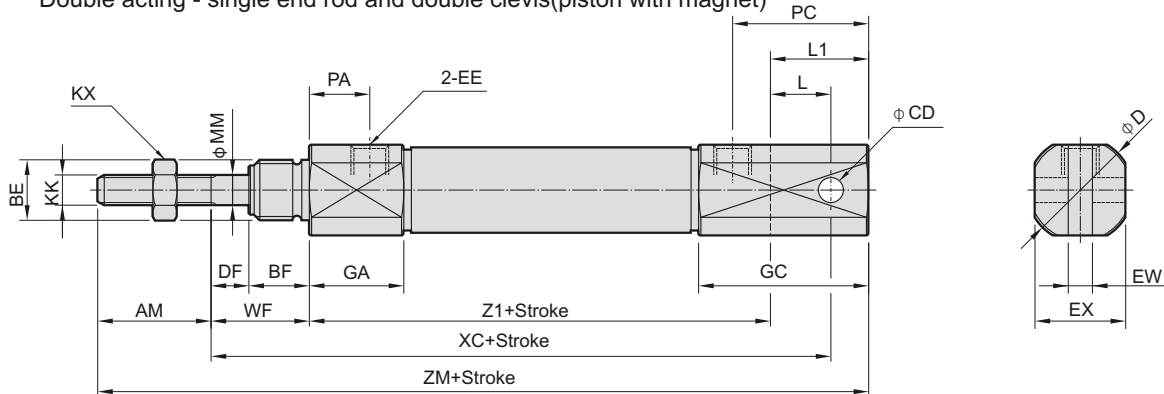


小型不銹鋼氣壓缸

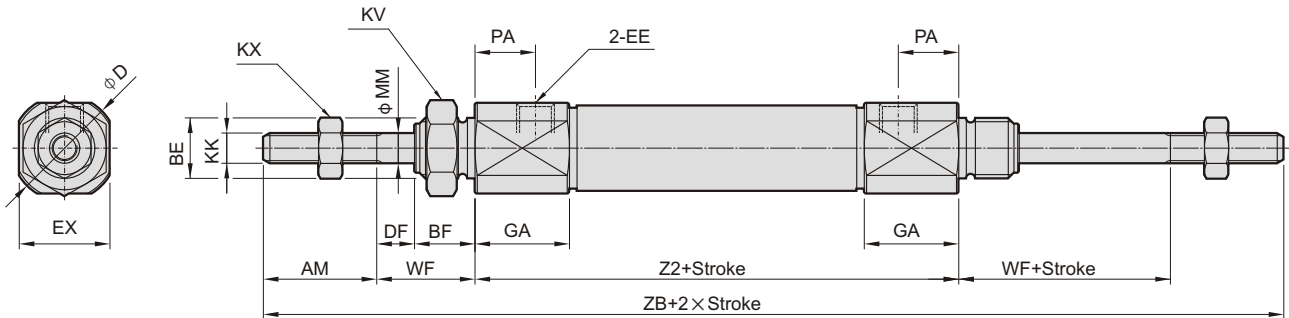
Bore	AM	BE	BE	D	DF	EE	EX	GA	GB	KK	KV	KX	MM	PA	PB	WF	Z1	ZB
$\phi 6$	15	M6×P1.0	8	14	5	M5×P0.8	12	19	7	M3×P0.5	8	5.5	3	14.5	-	13	49	77
$\phi 10$	15	M8×P1.0	8	14	5	M5×P0.8	12	12.5	9.5	M4×P0.7	11	7	4	8	5	13	46	74
$\phi 16$	15	M10×P1.0	8	20	5	M5×P0.8	18	12.5	9.5	M5×P0.8	14	8	5	8	5	13	47	75

尺寸圖 Dimension $\phi 10, \phi 16$

CDU 雙動尾端U座(磁性感應)
Double acting - single end rod and double clevis(piston with magnet)



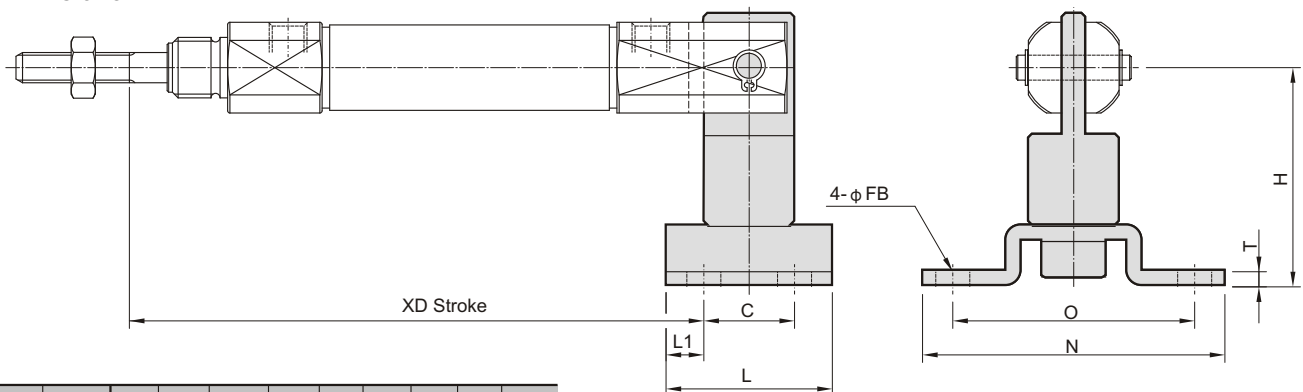
CDD 雙動雙軸(磁性感應)
Double acting - double end rod type (piston with magnet)



Bore	AM	BE	BF	CD	D	DF	EE	EX	EW	GA	GC	KK	KV	KX	L	L1	MM	PA	PC	WF	XC	Z1	Z2	ZB	ZM
$\phi 10$	15	M8×P1.0	8	3.3	14	5	M5×P0.8	12	3.2	12.5	22.5	M4×P0.7	11	7	8	13	4	8	18	13	67	46	49	105	87
$\phi 16$	15	M10×P1.0	8	5	20	5	M5×P0.8	18	6.5	12.5	27.5	M5×P0.8	14	8	10	18	5	8	23	13	70	47	50	106	93

安裝配件 Accessories 雙動標準型尺寸圖 Dimension $\phi 10 \sim \phi 16$

CA 單耳型
Clevis



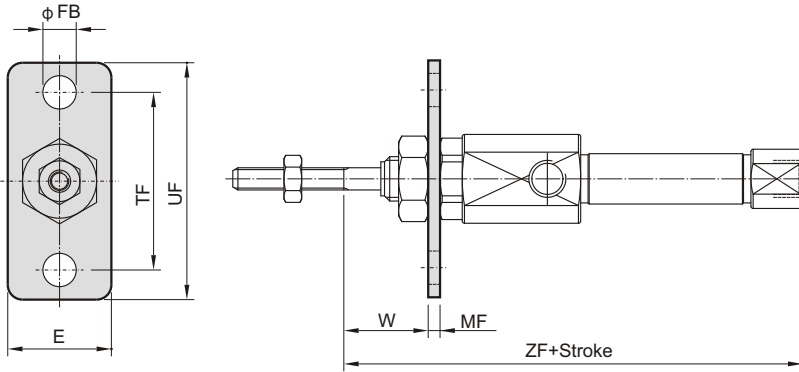
Type	Bore	C	FB	H	L	L1	N	O	T	XD
CA-10	$\phi 10$	12	4.5	29	22	5	40	32	2	61
CA-16	$\phi 16$	16	5.5	35	28	6	48	38	2.3	62

雙動標準型尺寸圖 Dimension $\phi 6 \sim \phi 16$

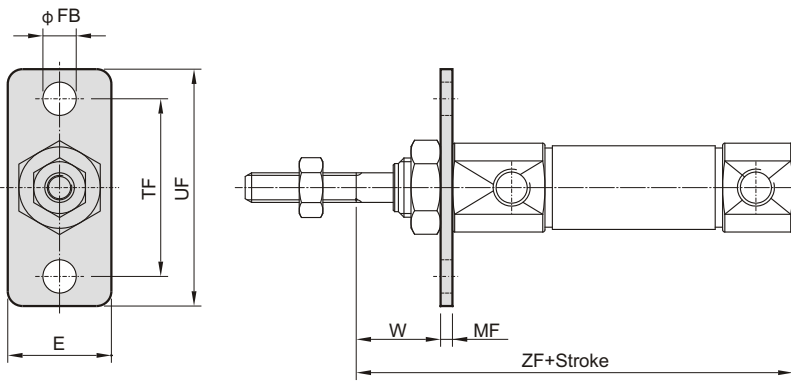
FA 前法蘭型
Front flange



Bore $\phi 6$



Bore $\phi 10, \phi 16$

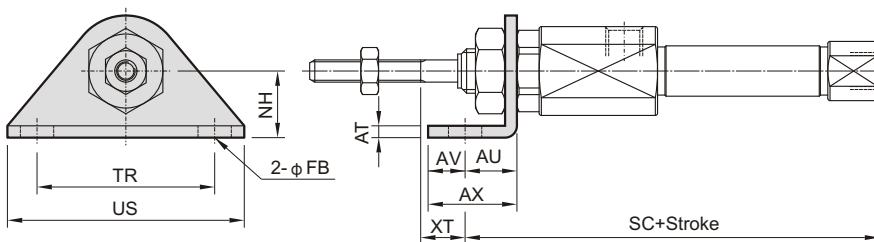


Type	Bore	E	FB	MF	TF	UF	W	ZF
FA-06	$\phi 6$	14	4.5	1.6	24	32	11.4	62
FA-10	$\phi 10$	14	4.5	1.6	24	32	11.4	59
FA-16	$\phi 16$	20	5.5	2.3	33	42	10.7	60

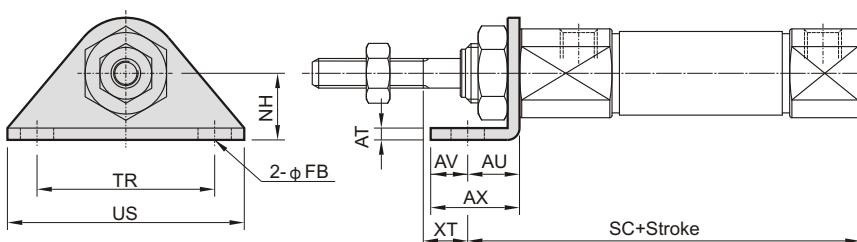
LB 腳座型
Foot mount



Bore $\phi 6$



Bore $\phi 10, \phi 16$



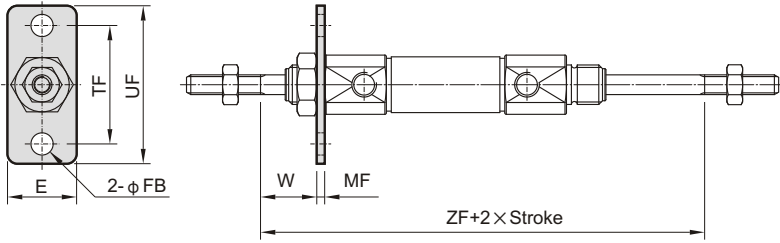
Type	Bore	AT	AU	AV	AX	FB
LB-06	$\phi 6$	1.6	7	5	12	4.5
LB-10	$\phi 10$	1.6	7	5	12	4.5
LB-16	$\phi 16$	2.3	9	6	15	5.5

Type	Bore	NH	SC	TR	US	XT
LB-06	$\phi 6$	9	56	24	32	6
LB-10	$\phi 10$	9	53	24	32	6
LB-16	$\phi 16$	14	56	33	42	4

小型不銹鋼氣壓缸

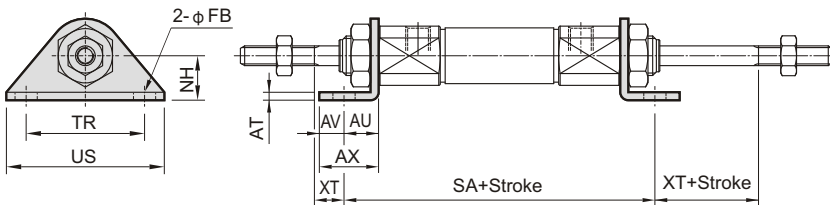
安裝配件 Accessories 雙動雙軸型尺寸圖 Dimension $\phi 10, \phi 16$

FA 前法蘭型
Front flange



Type	Bore	E	FB	MF	TF	UF	W	ZF
FA-10	$\phi 10$	14	4.5	1.6	24	32	11.4	75
FA-16	$\phi 16$	20	5.5	2.3	33	42	10.7	76

LB 腳座型
Foot mount

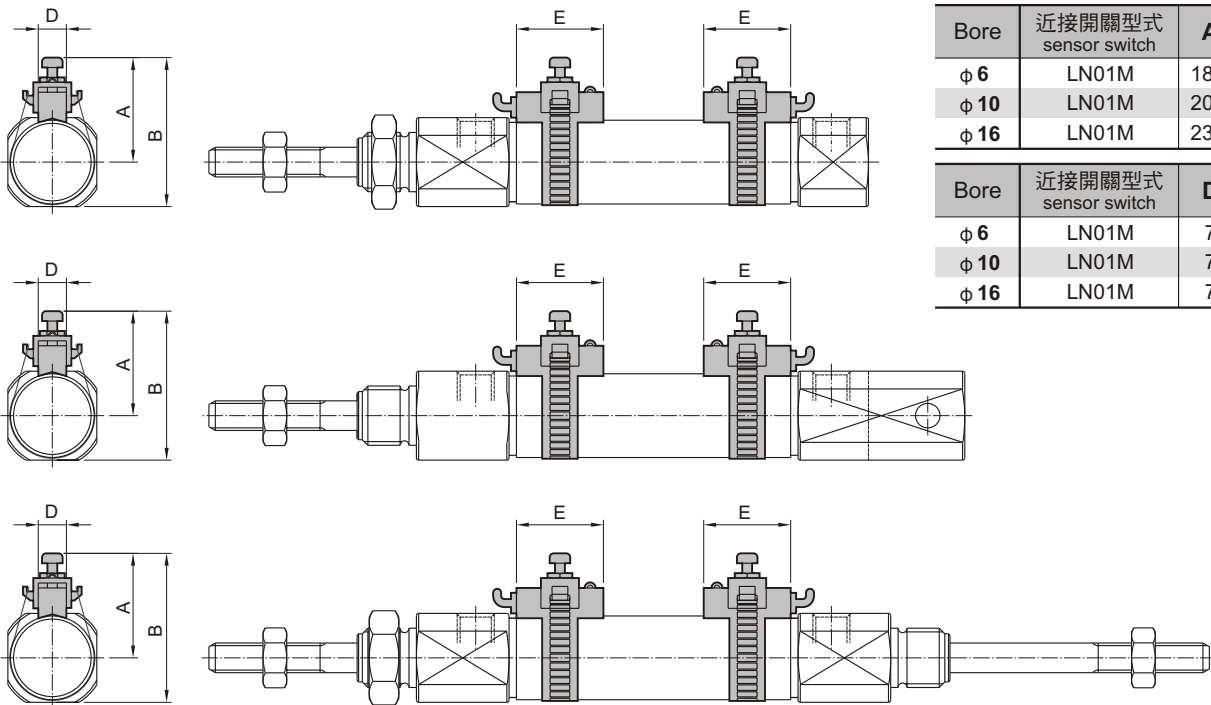


Type	Bore	AT	AU	AV	AX	FB	NH
LB-10	$\phi 10$	1.6	7	5	12	4.5	9
LB-16	$\phi 16$	2.3	9	6	15	5.5	14

Type	Bore	SA	TR	US	XT
LB-10	$\phi 10$	63	24	32	6
LB-16	$\phi 16$	68	33	42	4

近接開關 Sensor switches 尺寸圖 Dimension $\phi 6 \sim \phi 16$

CD 型(Type)



Bore	近接開關型式 sensor switch	A	B
$\phi 6$	LN01M	18.5	25.5
$\phi 10$	LN01M	20.5	29.5
$\phi 16$	LN01M	23.5	33

Bore	近接開關型式 sensor switch	D	E
$\phi 6$	LN01M	7	22
$\phi 10$	LN01M	7	22
$\phi 16$	LN01M	7	22

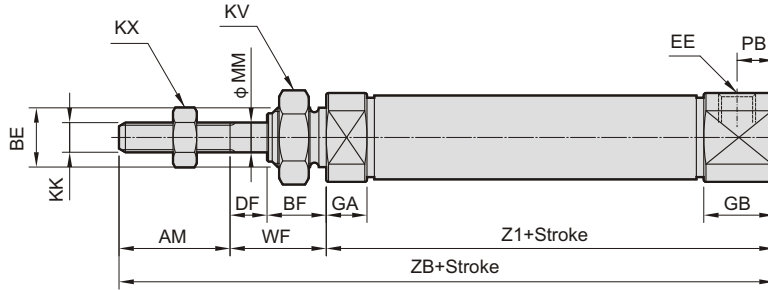
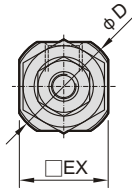
尺寸圖 Dimension $\phi 6 \sim \phi 16$

CDAI 單動常入型(磁性感應)

Single acting - normally retracted piston rod type (piston with magnet)



Bore $\phi 10, \phi 16$

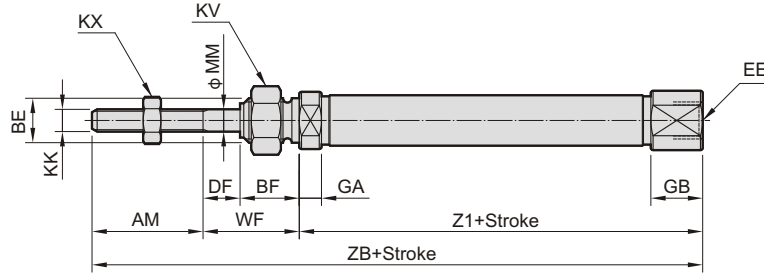
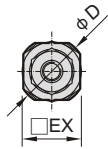


CDRI 單動常入型(磁性感應)

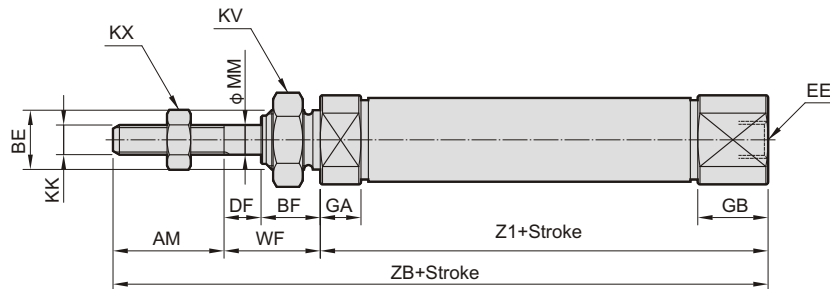
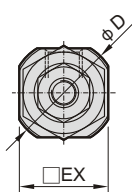
Single acting - normally retracted piston rod type (piston with magnet)



Bore $\phi 6$



Bore $\phi 10, \phi 16$



Bore	AM	BE	BF	D	DF	EE	EX	GA	GB	KK	KV	KX	MM	PB	WF
$\phi 6$	15	M6×P1.0	8	9	5	M5×P0.8	8	3	7	M3×P0.5	8	5.5	3	-	13
$\phi 10$	15	M8×P1.0	8	14	5	M5×P0.8	12	5.5	9.5	M4×P0.7	11	7	4	5	13
$\phi 16$	15	M10×P1.0	8	20	5	M5×P0.8	18	5.5	9.5	M5×P0.8	14	8	5	5	13

Bore	Stroke 5~15		Stroke 16~30		Stroke 31~45		Stroke 46~60	
	Z1	ZB	Z1	ZB	Z1	ZB	Z1	ZB
$\phi 6$	39.5	67.5	48.5	76.5	52.5	80.5	66.5	94.5
$\phi 10$	45.5	73.5	53	81	65	93	77	105
$\phi 16$	45.5	73.5	54	82	66	94	78	106

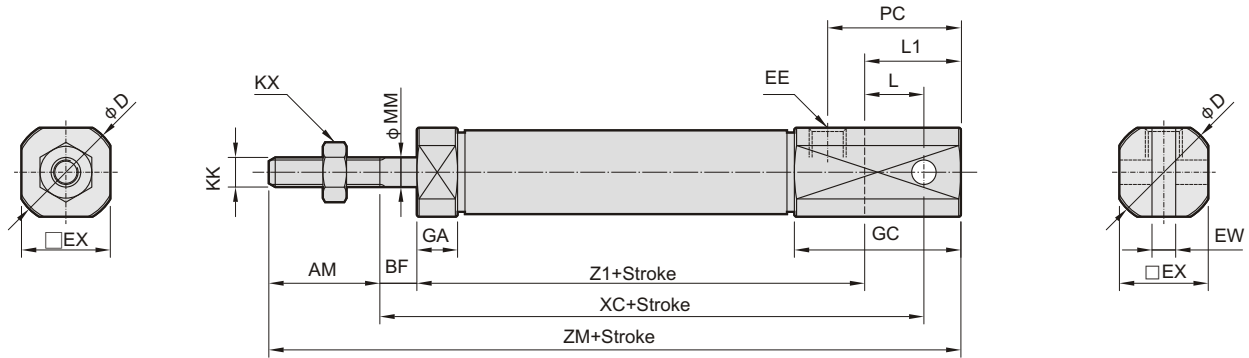
小型不銹鋼氣壓缸

Pen Stainless Steel Cylinders

尺寸圖 Dimension $\phi 10, \phi 16$

CDUI 單動常入型(磁性感應)

Single acting - normally retracted piston rod type (piston with magnet)

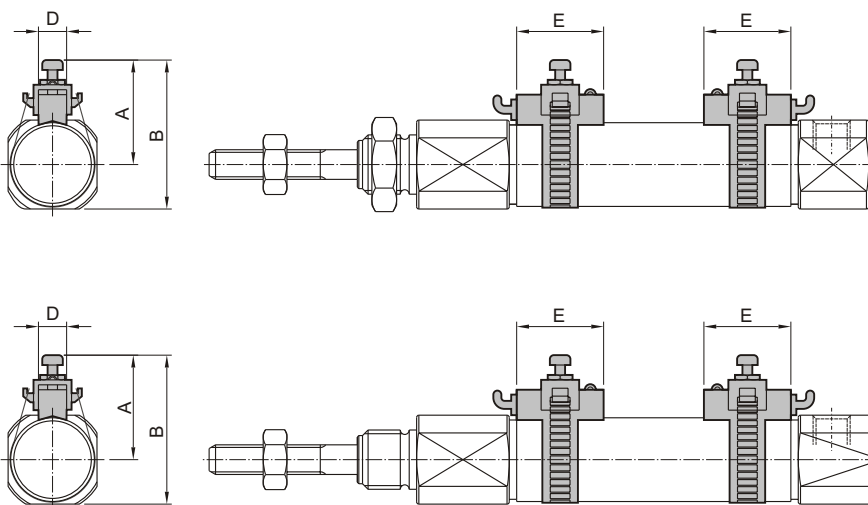


Bore	AM	BF	D	EE	EW	EX	GA	GC	KK	KX	MM	PC	L	L1	Stroke 5~15		
															XC	Z1	ZM
$\phi 10$	15	5	14	M5×P0.8	3.2	12	5.5	22.5	M4×P0.7	7	4	18	8	13	58.5	45.5	78.5
$\phi 16$	15	5	20	M5×P0.8	6.5	18	5.5	27.5	M5×P0.8	8	5	23	10	18	60.5	45.5	83.5

Bore	Stroke 16~30			Stroke 31~45			Stroke 46~60		
	XC	Z1	ZM	XC	Z1	ZM	XC	Z1	ZM
$\phi 10$	66	53	86	78	65	98	90	77	110
$\phi 16$	69	54	92	81	66	104	93	78	116

近接開關 Sensor switches 尺寸圖 Dimension $\phi 6 \sim \phi 16$

CD□I 型(Type)



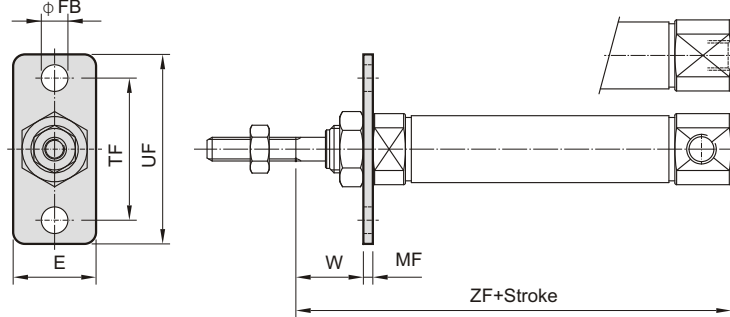
Bore	近接開關型式 sensor switch	A	B
$\phi 6$	LN01M	18.5	25.5
$\phi 10$	LN01M	20.5	29.5
$\phi 16$	LN01M	23.5	33

Bore	近接開關型式 sensor switch	D	E
$\phi 6$	LN01M	7	22
$\phi 10$	LN01M	7	22
$\phi 16$	LN01M	7	22

安裝配件 Accessories 單動常入型尺寸圖 Dimension $\phi 6 \sim \phi 16$

FA 前法蘭型
Front flange

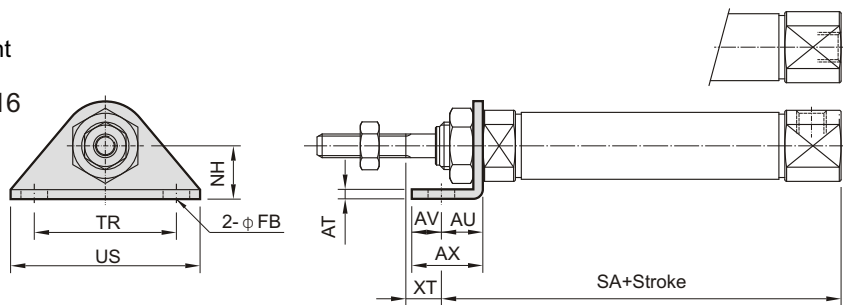
Bore $\phi 6 \sim \phi 16$



Type	Bore	E	FB	MF	TF	UF	W	ZF							
								Stroke 5~15	Stroke 16~30	Stroke 31~45	Stroke 46~60	Stroke 61~75	Stroke 76~100	Stroke 101~125	Stroke 126~150
FA-06	$\phi 6$	14	4.5	1.6	24	32	11.4	52.5	61.5	65.5	79.5	-	-	-	-
FA-10	$\phi 10$	14	4.5	1.6	24	32	11.4	58.5	66	78	90	-	-	-	-
FA-16	$\phi 16$	20	5.5	2.3	33	42	10.7	58.5	67	79	91	97	121	139	151

LB 腳座型
Foot mount

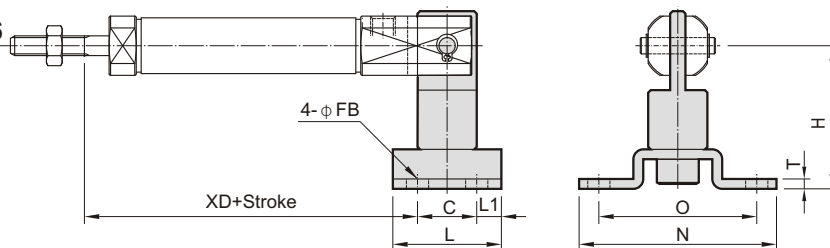
Bore $\phi 6 \sim \phi 16$



Type	Bore	AT	AU	AV	AX	FB	NH	TR	US	XT	SA			
											Stroke 5~15	Stroke 16~30	Stroke 31~45	Stroke 46~60
LB-06	$\phi 6$	1.6	7	5	12	4.5	9	24	32	6	46.5	55.5	59.5	73.5
LB-10	$\phi 10$	1.6	7	5	12	4.5	9	24	32	6	52.5	60	72	84
LB-16	$\phi 16$	2.3	9	6	15	5.5	14	33	42	4	54.5	63	75	87

CA 單耳型
Clevis

Bore $\phi 10, \phi 16$



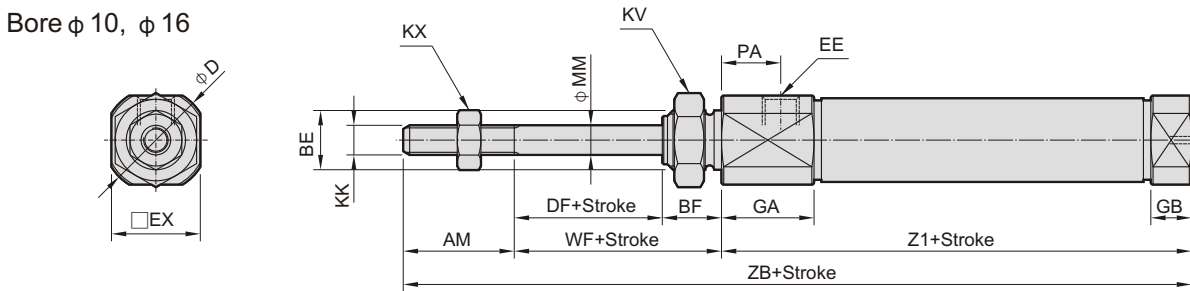
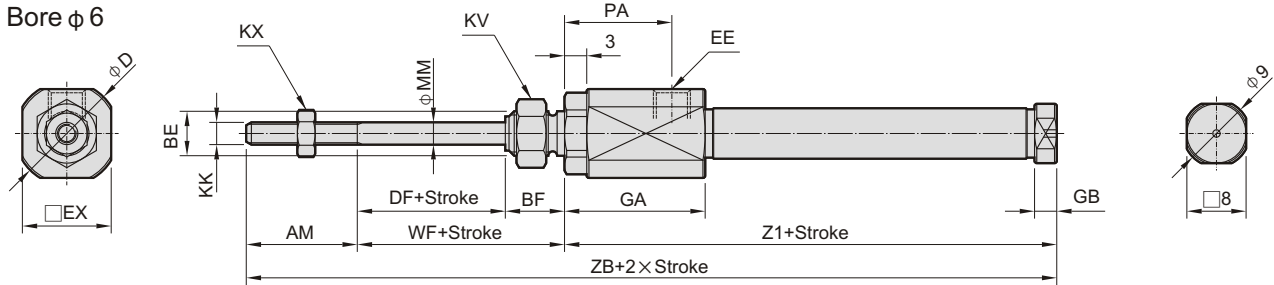
Type	Bore	C	FB	H	L	L1	N	O	T	XD			
										Stroke 5~15	Stroke 16~30	Stroke 31~45	Stroke 46~60
CA-10	$\phi 10$	12	4.5	29	22	5	40	32	3	52.5	60	72	84
CA16	$\phi 16$	16	5.5	35	28	6	48	38	2.3	52.5	61	73	85

小型不銹鋼氣壓缸

尺寸圖 Dimension $\phi 6 \sim \phi 16$

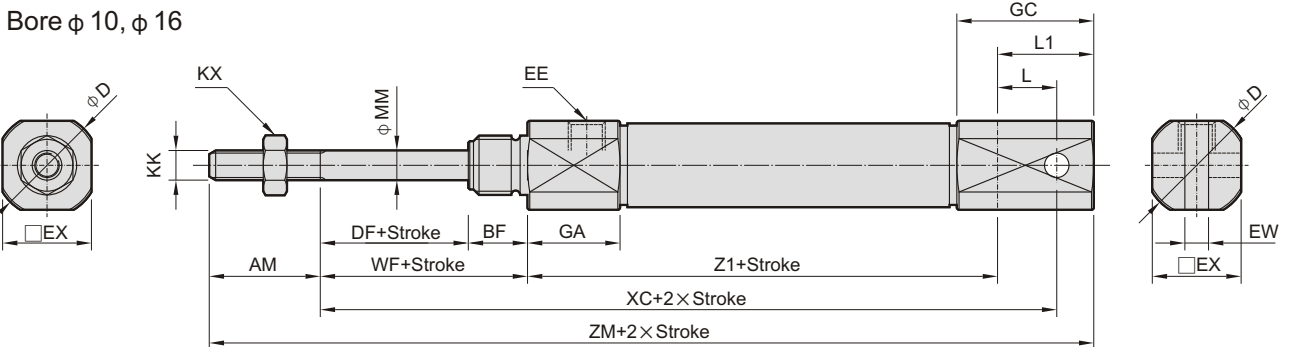
CDRO 單動常出型(磁性感應)

Single acting - normally extended piston rod type(piston with magnet)



CDUO 單動常出型(磁性感應)

Single acting - normally extended piston rod type(piston with magnet)



Bore	AM	BE	BF	D	DF	EE	EW	EX	GA	GB	GC	KK	KV	KX	MM	PA	WF	L	L1
$\phi 6$	15	M6×P1.0	8	14	5	M5×P0.8	-	12	19	3	-	M3×P0.5	8	5.5	3	14.5	13	-	-
$\phi 10$	15	M8×P1.0	8	14	5	M5×P0.8	3.2	12	12.5	5.5	18.5	M4×P0.7	11	7	4	8	13	8	13
$\phi 16$	15	M10×P1.0	8	20	5	M5×P0.8	6.5	18	12.5	5.5	23.5	M5×P0.8	14	8	5	8	13	10	18

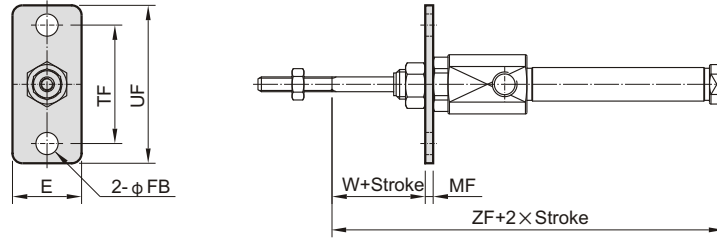
Bore	Stroke 5~15				Stroke 16~30				Stroke 31~45				Stroke 46~60			
	XC	Z1	ZB	ZM	XC	Z1	ZB	ZM	XC	Z1	ZB	ZM	XC	Z1	ZB	ZM
$\phi 6$	-	51.5	79.5	-	-	60.5	88.5	-	-	64.5	92.5	-	-	78.5	106.5	-
$\phi 10$	69.5	48.5	76.5	89.5	77	56	84	97	89	68	96	109	101	80	108	121
$\phi 16$	71.5	48.5	76.5	94.5	80	57	85	103	92	69	97	115	104	81	109	127

安裝配件 Accessories 單動常出型尺寸圖 Dimension $\phi 6 \sim \phi 16$

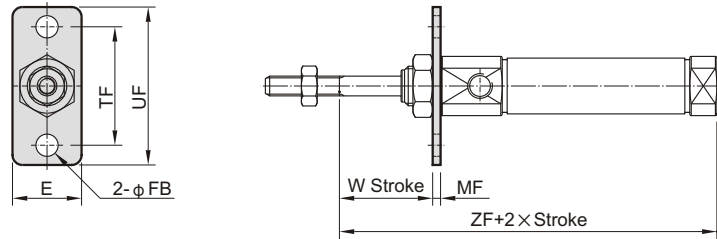
FA 前法蘭型
Front flange



Bore $\phi 6$



Bore $\phi 10, \phi 16$

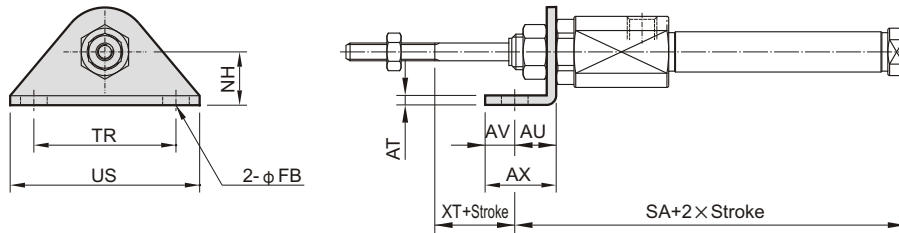


Type	Bore	AT	AU	AV	AX	FB	NH	ZF			
								Stroke 5~15	Stroke 16~30	Stroke 31~45	Stroke 46~60
FA-06	$\phi 6$	14	4.5	1.6	24	32	11.4	64.5	73.5	77.5	91.5
FA-10	$\phi 10$	14	4.5	1.6	24	32	11.4	61.4	69	81	93
FA-16	$\phi 16$	20	5.5	2.3	33	42	10.7	61.5	70	82	94

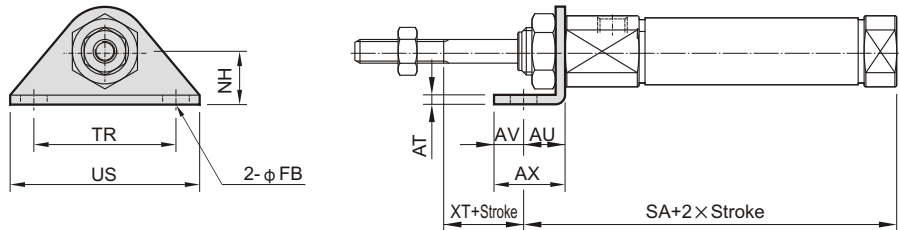
LB 腳座型
Foot mount



Bore $\phi 6$



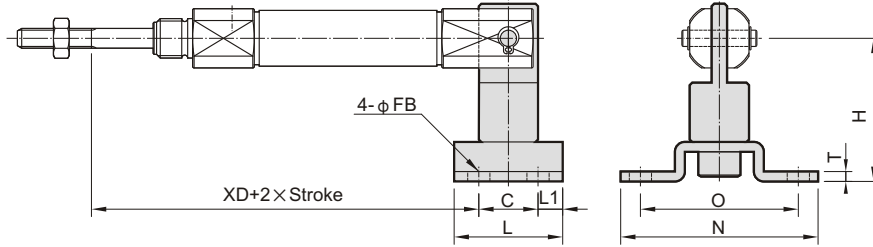
Bore $\phi 10, \phi 16$



Type	Bore	AT	AU	AV	AX	FB	NH	TR	US	XT	SA			
											Stroke 5~15	Stroke 16~30	Stroke 31~45	Stroke 46~60
LB-06	$\phi 6$	1.6	7	5	12	4.5	9	24	32	6	58.5	67.5	71.5	85.5
LB-10	$\phi 10$	1.6	7	5	12	4.5	9	24	32	6	55.5	63	75	87
LB-16	$\phi 16$	2.3	9	6	15	5.5	14	33	42	4	57.5	66	78	90

小型不銹鋼氣壓缸

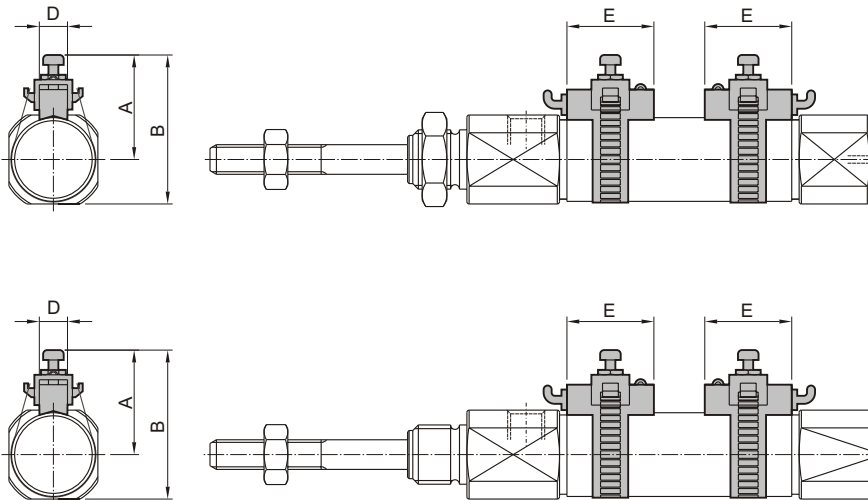
單動常出型尺寸圖 Dimension $\phi 10, \phi 16$



Type	Bore	C	FB	H	L	L1	N	O	T	XD			
										Stroke 5~15	Stroke 16~30	Stroke 31~45	Stroke 46~60
CA-10	$\phi 10$	12	4.5	29	22	5	40	32	2	63.5	71	83	95
CA-16	$\phi 16$	16	5.5	35	28	6	48	38	2.3	63.5	72	84	96

近接開關 Sensor switches 尺寸圖 Dimension $\phi 6 \sim \phi 16$

CD O 型(Type)

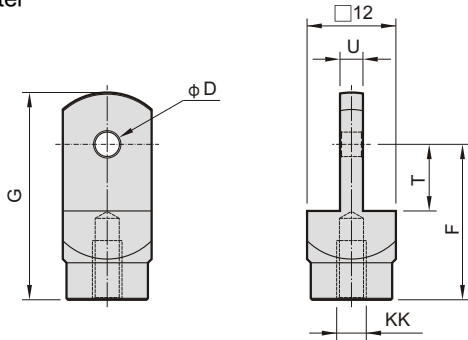


Bore	近接開關型式 sensor switch	A	B
$\phi 6$	LN01M	18.5	25.5
$\phi 10$	LN01M	20.5	29.5
$\phi 16$	LN01M	23.5	33

Bore	近接開關型式 sensor switch	D	E
$\phi 6$	LN01M	7	22
$\phi 10$	LN01M	7	22
$\phi 16$	LN01M	7	22

軸端配件 Accessories 尺寸圖 Dimension $\phi 6 \sim \phi 16$

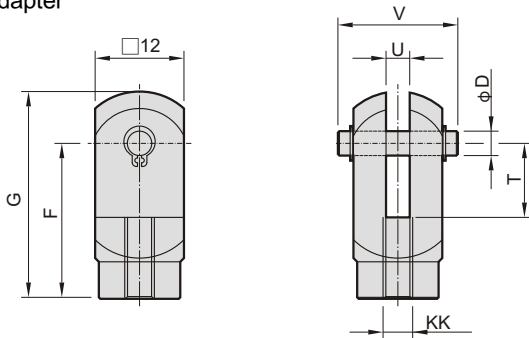
I I型接頭
I-Adapter



Type	圖檔名 File name
I-M4×0.7	IM04070
I-M5×0.8	IM05080

Type	Bore	D	F	G	KK	T	U
I-M4×0.7	$\phi 10$	3.3	21	28	M4×P0.7	9	3.1
I-M5×0.8	$\phi 16$	5	25	32	M5×P0.8	14	6.4

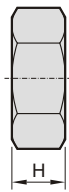
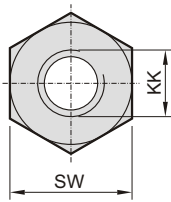
Y Y型接頭
Y-Adapter



Type	圖檔名 File name
Y-M4×0.7	YM04070
Y-M5×0.8	YM05080

Type	Bore	D	F	G	KK	T	U	V
Y-M4×0.7	$\phi 10$	3.3	21	28	M4×P0.7	10	3.2	16
Y-M5×0.8	$\phi 16$	5	21	28	M5×P0.8	10	6.5	16.6

軸牙螺帽
Mounting nut



Type	圖檔名 File name
N-M4×0.7	NM04070
N-M5×0.8	NM05080
N-M6×1.0	NM06100
N-M8×1.0	NM08100
N-M10×1.0	NM10100

Type	Bore	H	KK	SW
N-M3×0.5	$\phi 6$	2.4	M3×P0.5	5.5
N-M4×0.7	$\phi 10$	3.2	M4×P0.7	7
N-M5×0.8	$\phi 16$	4	M5×P0.8	8
N-M6×1.0	$\phi 6$	4	M6×P1.0	8
N-M8×1.0	$\phi 10$	4	M8×P1.0	11
N-M10×1.0	$\phi 16$	4	M10×P1.0	14