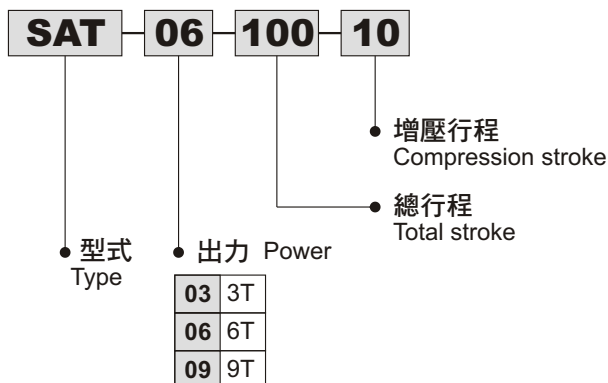


- 體積小、出力大。
- 規格種類齊全。
- 安裝時，空油轉換裝置必需高於作動缸。
- Compact size with great output force.
- With complete series of products.
- For installation, the pneumatic-hydraulic converter must be installed higher than the operated cylinder.

訂購代號 Order No.



### 規格表 Specifications

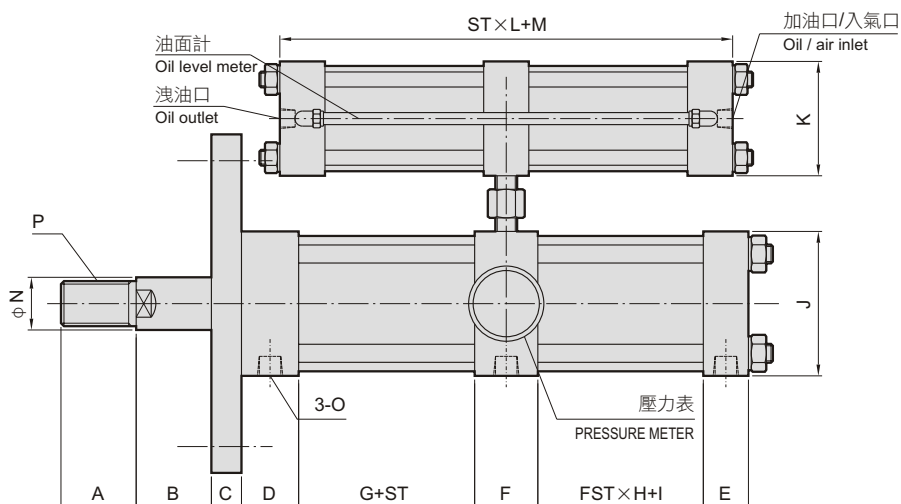
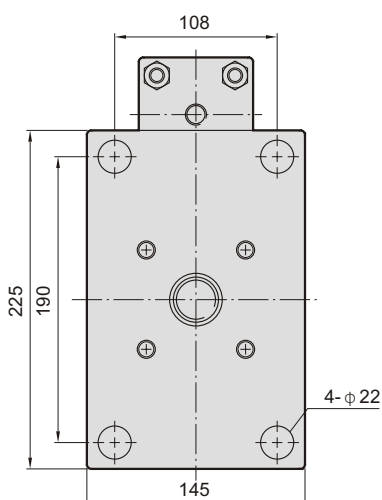
出力 Power (Kg)	3T, 6T, 9T
總行程 Total stroke (mm)	60,100,150
增壓行程 Enforce stroke (mm)	5,10,15,20
使用流體 Used fluid	空氣 Air
使用壓力範圍 Pressure range (kgf/cm <sup>2</sup> )	0.7 ~ 9.9
使用速度範圍 Speed range (mm/s)	8 ~ 100
使用溫度範圍 Ambient temperature (°C)	-10 ~ 70

### 出力表 Force table

出力 Power	快速推進 Fast forward	快速回程 Fast backward	高推力前進 Compression forward
3T	180	129	2880
6T	300	226	5970
9T	470	375	9370

單位為公斤，空壓為6Kg/cm<sup>2</sup>  
Unit: Kg, Air pressure: 6Kg/cm<sup>2</sup>

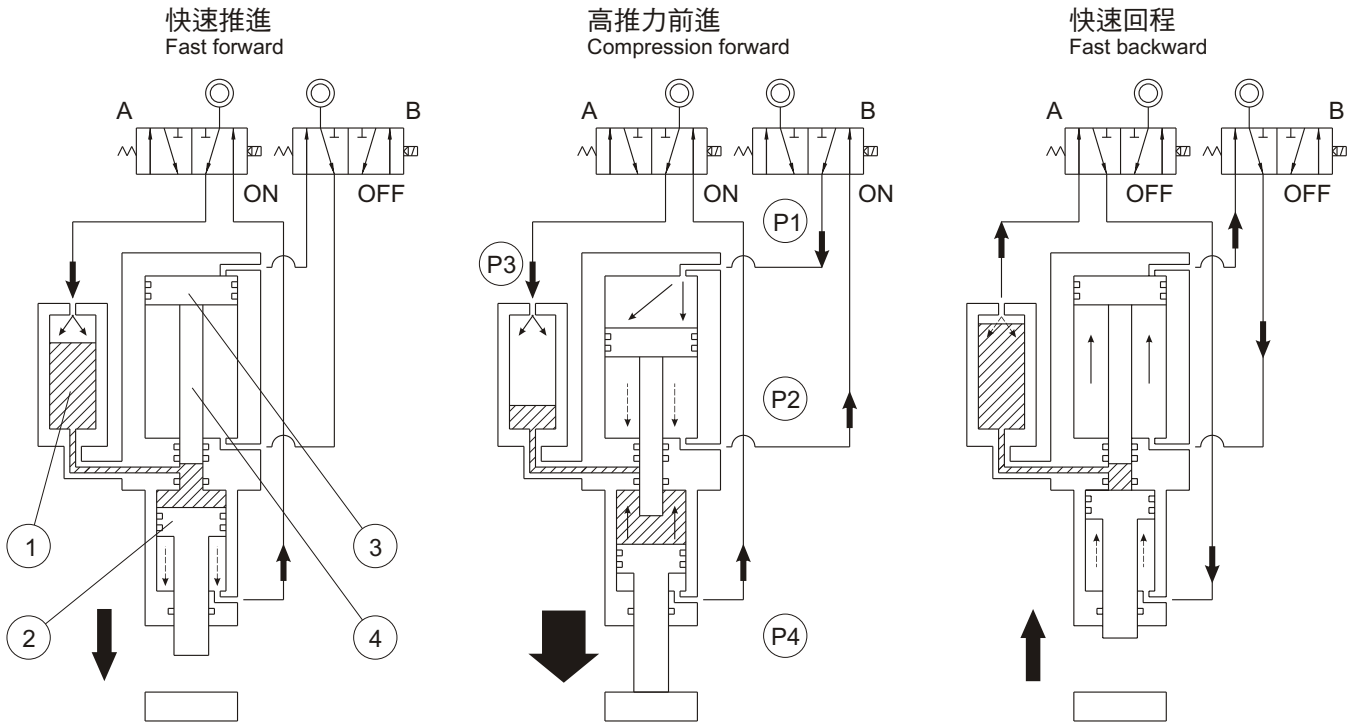
### 尺寸圖 Dimension



ST : 總行程 Total stroke    FST : 增壓行程 Compression stroke

出力 Power	A	B	C	D	E	F	G	H	I	J	K	L	M	N	O	P
3T	50	50	20	38	30	42	57	11	55	96	76	2	101	35	PT 3/8"	M30×1.5
6T	60	60	24	40	36	42	65	14	63	114	76	2.9	101	40	PT 3/8"	M30×1.5
9T	60	60	30	42	38	45	75	21	63	130	96	2.9	120	45	PT 1/2"	M30×1.5

構造和操作原理 Structure and operation theory



當電磁閥A通電時壓縮空氣進入空油轉換桶①，使油壓活塞②向下快速推進。

When valve A turns on, the compressed air enters the converter cylinder ① to make the hydraulic piston ② move downward quickly.

當電磁閥B也通電時空壓活塞③推動增壓柱塞④，柱塞進入油壓缸內產生增壓作用與高推力。

When valve B also turns on, air cylinder piston ③ pushes converter piston ④ to enter the hydraulic cylinder and make compression effect and great push force.

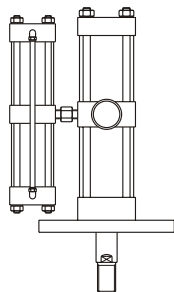
兩個電磁閥都不通電時，油壓缸和空壓缸快速退回原位，拉力為空壓拉力。

When the solenoid A and B both turn off, the hydraulic and air cylinder both quickly return with compression air pull force.

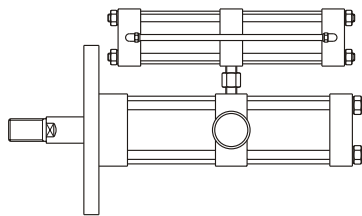
安裝方式 Installation

安裝時，空油轉換裝置必需高於作動缸

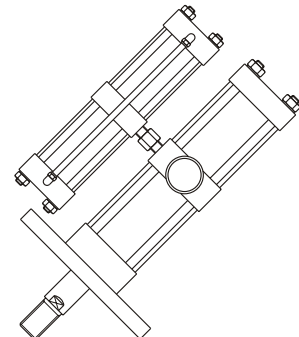
For installation, the pneumatic-hydraulic converter must be installed higher than the operated cylinder



垂直安裝  
Vertical installation



水平安裝  
Horizontal installation



傾斜安裝  
Inclined installation