



雙動氣缸 Double acting cylinders

PXB...	雙動導桿滑台移動型(鐵氟龍) DOUBLE ACTING - TWIN GUIDED RODS - MIDDLE BLOCK MOVABLE TYPE (with teflon bushing)	
PXU...	雙動導桿滑台移動型(線性軸承) DOUBLE ACTING - TWIN GUIDED RODS - MIDDLE BLOCK MOVABLE TYPE (with linear bearing bushing)	

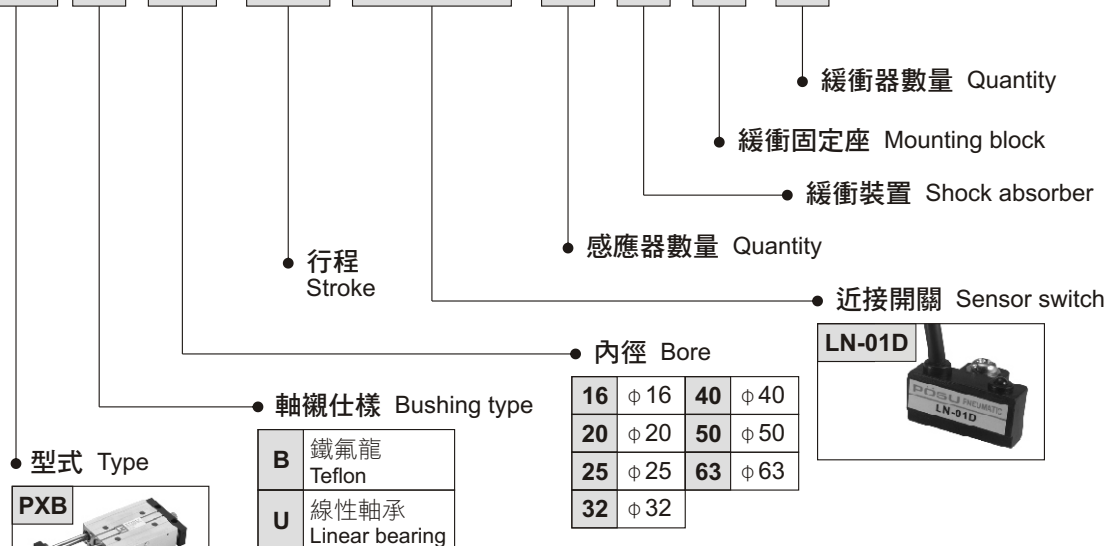
- 可運用於水平，垂直直線運動。
- 設計輕巧，裝配組合互換性高。
- 本體表面硬質陽極處理。
- 採用進口O形環及迫緊，全部內附磁石。
- Can be used for horizontal or vertical motion.
- Compact design, easy for assembly and mounting, high interchangeability.
- The body is under the surface hardness anodic treatment.
- Adopting imported O rings and packings. With built-in magnet for all model.

規格表 Specifications

氣缸內徑 Bore sizes of cylinder (mm)	φ 16	φ 20	φ 25	φ 32	φ 40	φ 50	φ 63
標準行程 Standard stroke (mm)	50,75,100,125,150,175,200,250						
行程範圍 The range of stroke (mm)	MAX 150			MAX 250			
使用流體 Used fluid	已濾清之壓縮空氣(潤滑或未潤滑) Filtered air with or without lubrication						
壓力範圍 Pressure range (kgf/cm ²)	1.5 ~ 7						
最大壓力 Maximum pressure (kgf/cm ²)	9.5						
使用溫度 Ambient temperature (°C)	-10 ~ 60						
行程調整範圍 Adjustable stroke (mm)	-10 ~ 0						
使用速度 Speed range (mm/s)	30 ~ 500					30 ~ 350	
配管接頭口徑 Port size	M5×0.8			Rc 1/8"		Rc 1/4"	

訂購代號 Order No.

PX B 32 × 100 LN-01D × 2 A M × 2



Bore	緩衝器規格 Shock absorber
φ 16	AC-1008
φ 20	AC-1210
φ 25	AC-1408
φ 32	AC-1408
φ 40	AC-1408
φ 50	AC-2020
φ 63	AC-2020

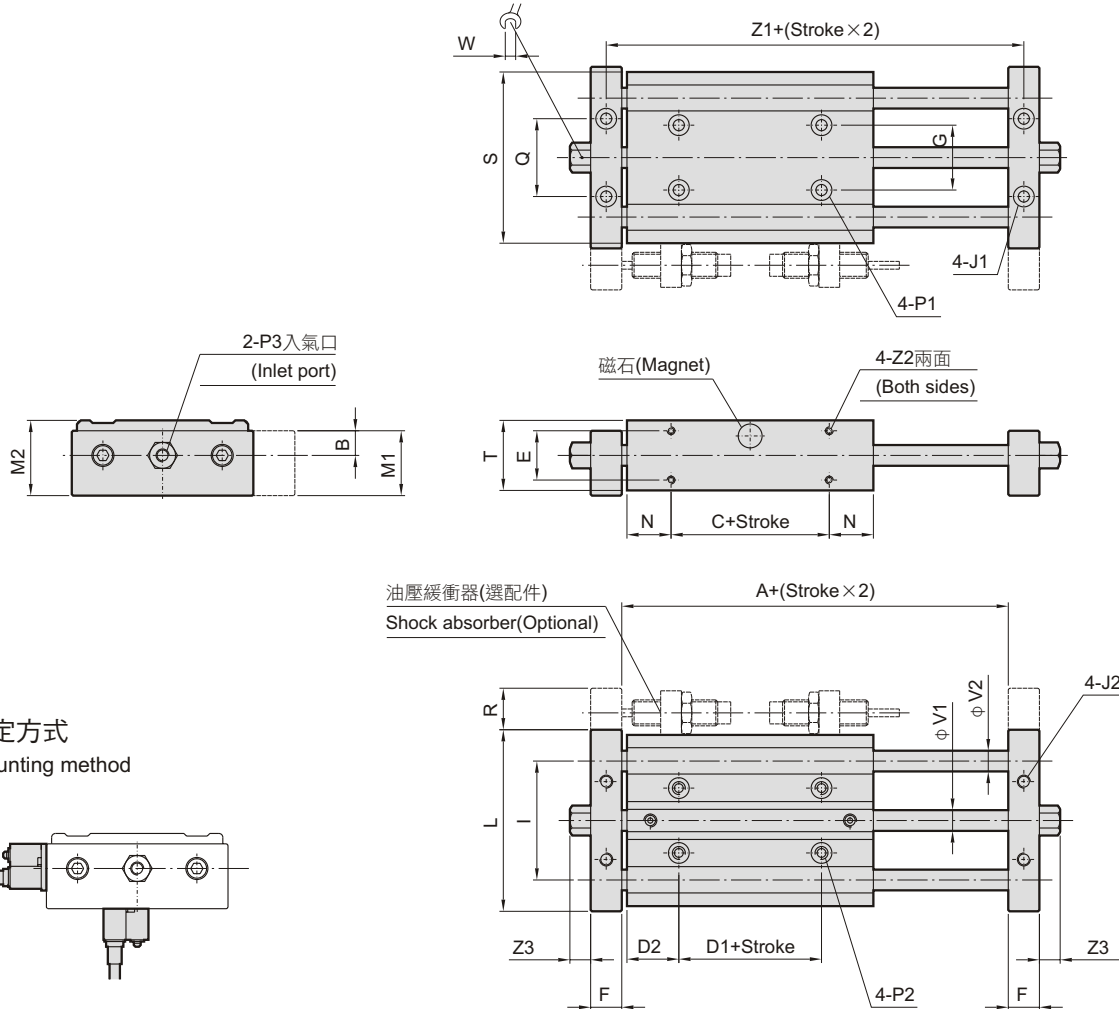
導桿氣壓

尺寸圖 Dimension $\phi 16 \sim \phi 40$

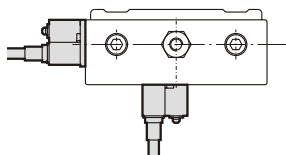
PXB 雙動導桿滑台移動型(鐵氟龍)
Double acting - twin guided rods - middle block movable type



PXU 雙動導桿滑台移動型(線性軸承)
Double acting - twin guided rods - middle block movable type



感應器固定方式
Sensors mounting method



(D: 深度, Depth / Thr: 貫穿孔, Through hole)

Bore	A	B	C	D1	D2	E	F	G	I	J1	J2	L	M1	M2	N	P1	P2
$\phi 16$	49	9.5	11	5	20	19	12	25	46	$\phi 4.3 \times \text{Thr}, \phi 8, D4.5$	$M5 \times P0.8 \times D10$	70	25	29	17	$\phi 4.3 \times \text{Thr}, \phi 8, D4.5$	$M5 \times P0.8 \times D10$
$\phi 20$	51	13	7	-3	25	22	12	30	60	$\phi 5.5 \times \text{Thr}, \phi 9.5, D5.5$	$M6 \times P1.0 \times D10$	86	31	34	20	$\phi 4.3 \times \text{Thr}, \phi 8, D4.5$	$M5 \times P0.8 \times D10$
$\phi 25$	56	14	8	-2	25	28	14	34	66	$\phi 5.5 \times \text{Thr}, \phi 9.5, D5.5$	$M6 \times P1.0 \times D10$	96	35	40	20	$\phi 5.5 \times \text{Thr}, \phi 9.5, D5.5$	$M6 \times P1.0 \times D10$
$\phi 32$	63	16.5	-1	-7	30	32	17	42	80	$\phi 6.8 \times \text{Thr}, \phi 11, D6.5$	$M8 \times P1.25 \times D12$	116	40.5	46	27	$\phi 5.5 \times \text{Thr}, \phi 9.5, D6$	$M6 \times P1.0 \times D10$
$\phi 40$	63	21	-1	-7	30	40	17	52	90	$\phi 6.8 \times \text{Thr}, \phi 11, D6.5$	$M8 \times P1.25 \times D12$	128	49	54	27	$\phi 6.8 \times \text{Thr}, \phi 11, D6.5$	$M8 \times P1.25 \times D10$

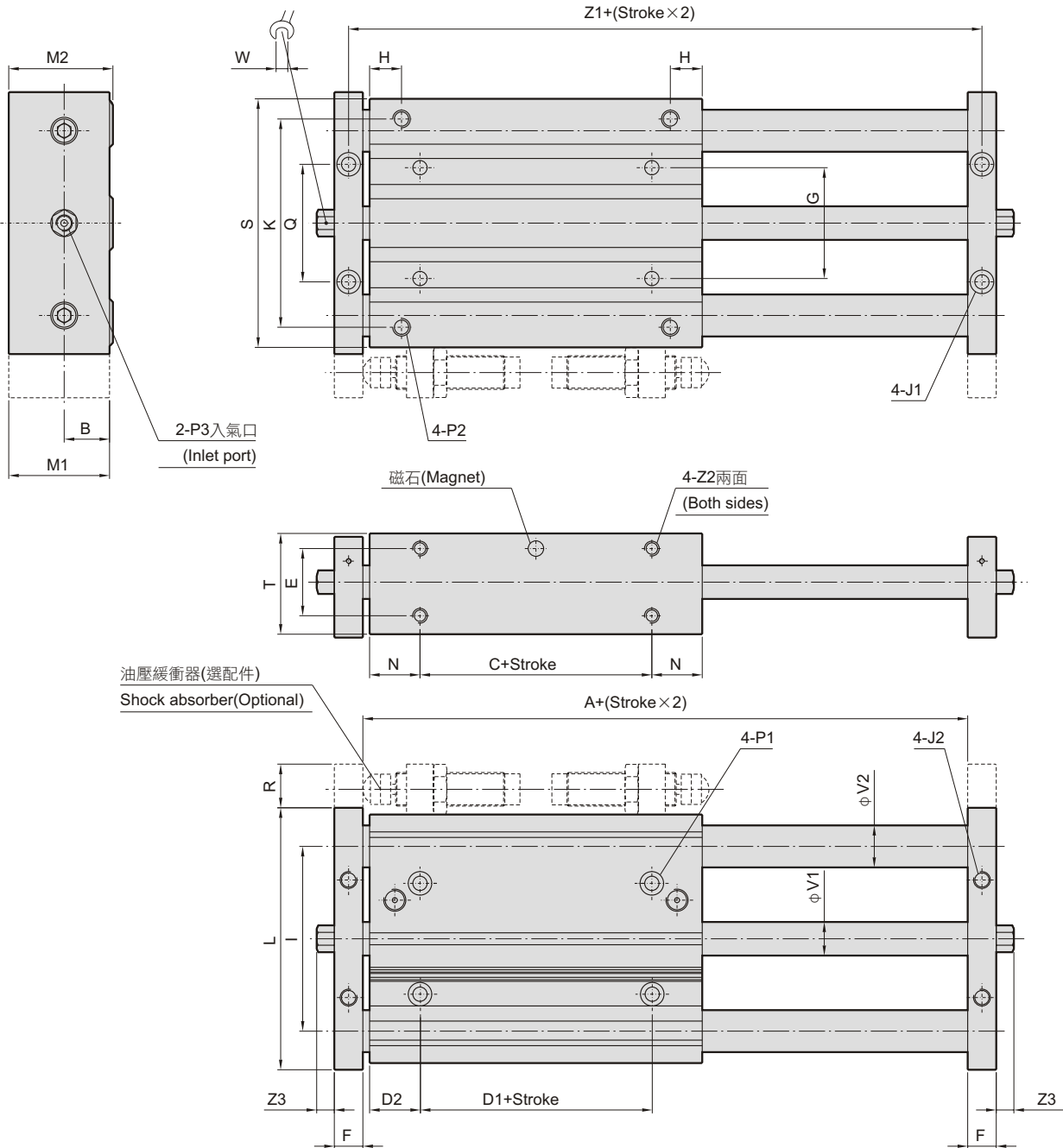
Bore	P3	Q	R	S	T	V1	V2		W	Z1	Z2	Z3
							PXU	PXB				
$\phi 16$	$M5 \times P0.8$	30	16	66	27	8	8	8	10	61	$M3 \times P0.5 \times D7$	8
$\phi 20$	$M5 \times P0.8$	36	20	82	32	10	10	12	13	63	$M4 \times P0.7 \times D8$	9.5
$\phi 25$	$M5 \times P0.8$	44	20	92	38	12	12	16	17	70	$M4 \times P0.7 \times D8$	11
$\phi 32$	Rc 1/8"	50	22	112	44	16	16	20	19	80	$M5 \times P0.8 \times D10$	11.5
$\phi 40$	Rc 1/8"	60	22	124	52	16	16	20	14	80	$M5 \times P0.8 \times D10$	11.5

尺寸圖 Dimension $\phi 50$, $\phi 63$

PXB 雙動導桿滑台移動型(鐵氟龍)
Double acting - twin guided rods - middle block movable type



PXU 雙動導桿滑台移動型(線性軸承)
Double acting - twin guided rods - middle block movable type



(D: 深度, Depth / Thr: 貫穿孔, Through hole)

Bore	A	B	C	D1	D2	E	F	G	H	I	J1	J2	K	L	M1	M2	N	P1
$\phi 50$	60	27	-12	-12	30	40	17	66	19	110	$\phi 8.5 \times \text{Thr}$, $\phi 14, D8.5$	$M10 \times P1.5 \times D15$	124	156	60	62	30	$\phi 8.5 \times \text{Thr}$, $\phi 14, D8.5$
$\phi 63$	62	36	-12	-12	31	50	17	76	20	120	$\phi 8.5 \times \text{Thr}$, $\phi 14, D8.5$	$M10 \times P1.5 \times D15$	132	164	75	77	31	$\phi 8.5 \times \text{Thr}$, $\phi 14, D8.5$

Bore	P2	P3	Q	R	S	T	V1	V2		W	Z1	Z2	Z3
								PXU	PXB				
$\phi 50$	$M10 \times P1.5 \times D8$	Rc 1/8"	70	26	148	60	20	20	25	14	77	$M8 \times P1.25 \times D12$	10.5
$\phi 63$	$M10 \times P1.5 \times D15$	Rc 1/8"	80	28	160	75	20	20	25	14	79	$M10 \times P1.5 \times D15$	10.5

導桿氣壓