



雙導桿氣缸 Twin-Guide cylinders

MGB	含油軸襯重負荷型 HEAVY DUTY (BUSH) TYPE	
MGU	線性軸承精密型 HEAVY DUTY (LINEAR BEARING) TYPE	

- 導桿與連接塊作成嵌入式構造，在承受強大的側向荷重時，發揮高度強韌的特點。
- 依使用時的精度需求，在導桿軸承部設計有「滑動軸承」、「線性軸承」兩種。
- 此系列一律附有磁性感應。
- Strong cylinder suitable for heavy load , for stopping work carriers of various size at a fixed position , and for stacking many work carriers, et.
- Designed for right angled turn, positioning , and lifting on the conveyor line.
- All series of piston can with magnet.

規格表 Specifications

氣缸內徑 Bore sizes of cylinder (mm)	φ 12	φ 16	φ 20	φ 25	φ 32	φ 40	φ 50	φ 63
行程範圍 The range of stroke (mm)	10 ~ 100		20 ~ 175		25 ~ 150			
工作媒體 Power fluid	已濾清之壓縮空氣(潤滑或未潤滑) Filtered air with or without lubrication							
使用壓力範圍 The range of pressure (kgf/cm ²)	2 ~ 7							
使用溫度範圍 The range of temperature (°C)	-10 ~ 60							

訂購代號 Order No.

MGB - **40** × **100** - **LN-09D** × **2**

- 型式 Type
 - MGB
 - MGU
- 內徑 Bore

12	φ 12	32	φ 32
16	φ 16	40	φ 40
20	φ 20	50	φ 50
25	φ 25	63	φ 63
- 行程 Stroke
- 感應器數量 Quantity
- 近接開關 Sensor switch
 - LN-09D

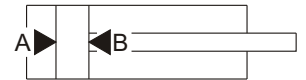
Guide cylinders

行程規格表 Cylinder bore and stroke

型式 Type	內徑 Bore	標準行程(附磁性感應) with magnet cylinder stroke											
		10	20	25	30	40	50	75	100	125	150	175	
MGB-□ 軸襯重負荷型 Heavy duty (bush) type	φ 12	●	●		●	●	●	●	●				
	φ 16	●	●		●	●	●	●	●				
	φ 20		●		●	●	●	●	●	●	●	●	●
	φ 25		●		●	●	●	●	●	●	●	●	●
	φ 32			●			●	●	●	●	●	●	
	φ 40			●			●	●	●	●	●	●	
	φ 50			●			●	●	●	●	●	●	
	φ 63			●			●	●	●	●	●	●	
MGU-□ 線性軸承精密型 Heavy duty (linear bearing) type	φ 12	●	●		●	●	●	●	●				
	φ 16	●	●		●	●	●	●	●				
	φ 20		●		●	●	●	●	●	●	●	●	●
	φ 25		●		●	●	●	●	●	●	●	●	●
	φ 32			●			●	●	●	●	●	●	
	φ 40			●			●	●	●	●	●	●	
	φ 50			●			●	●	●	●	●	●	
	φ 63			●			●	●	●	●	●	●	

理論出力表 Theoretic force

單位:N



型式 Type	內徑 Bore (mm)	軸徑 Rod dia. (mm)	受壓面積 Pressure area (mm ²)	操作壓力 Operating pressure (kgf/cm ²)											
				2		3		4		5		6		7	
				A	B	A	B	A	B	A	B	A	B	A	B
MGB-□ 軸襯重負荷型 Heavy duty (bush) type	φ 12	φ 6	113	23	17	34	25	45	34	57	42	68	51	79	59
	φ 16	φ 8	201	40	30	60	45	80	60	101	75	121	90	141	106
	φ 20	φ 10	314	63	47	94	71	126	94	157	118	188	141	220	165
	φ 25	φ 12	491	98	76	147	113	196	151	245	189	295	227	344	264
MGU-□ 線性軸承精密型 Heavy duty (linear bearing) type	φ 32	φ 16	804	161	121	241	181	322	241	402	302	483	362	563	422
	φ 40	φ 16	1257	251	211	377	317	503	422	628	528	754	633	880	739
	φ 50	φ 20	1963	393	330	589	495	785	660	982	825	1178	990	1374	1155
	φ 63	φ 20	3117	623	561	935	841	1247	1121	1559	1402	1870	1682	2182	1962

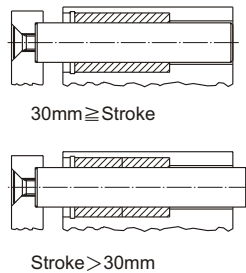
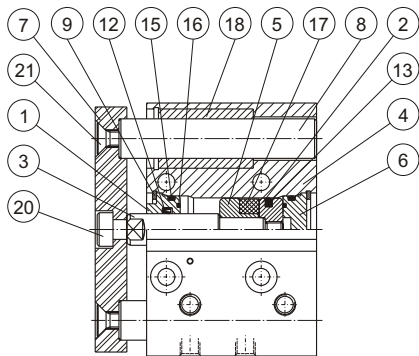
修理包 Seal Kit 訂購代號 Order No.

MGSK 25 • 內徑 Bore

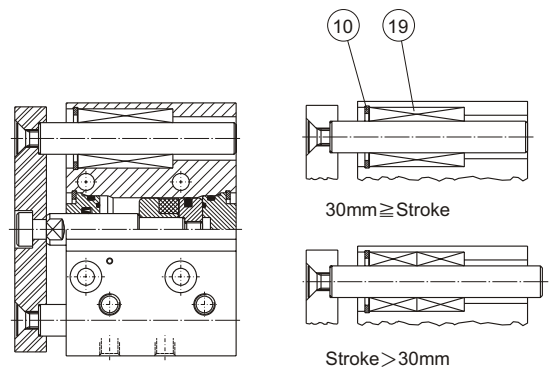
12	MGSK12 - Including No.12,13,15
16	MGSK16 - Including No.12,13,15
20	MGSK20 - Including No.12,13,15
25	MGSK25 - Including No.12,13,15

內部結構 Inside structure & parts list

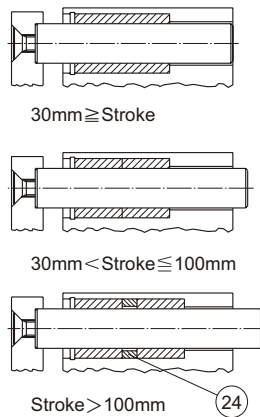
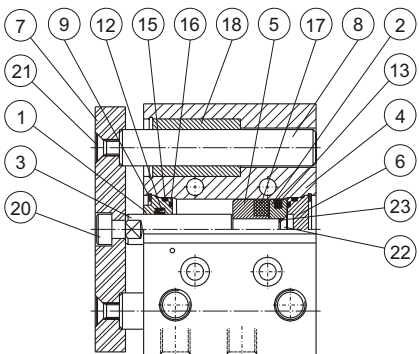
MGB Bore φ 12, φ 16



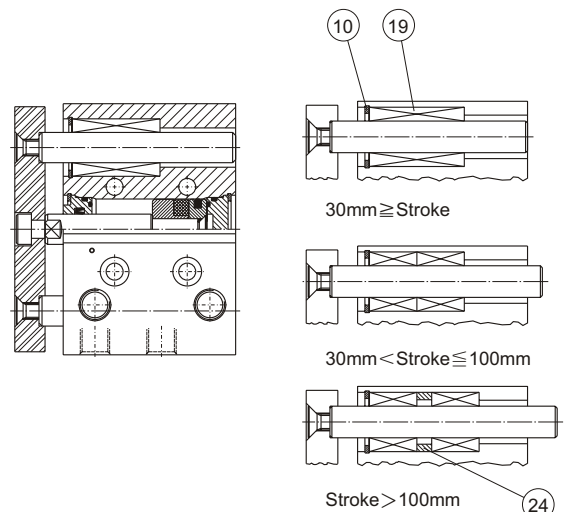
MGU Bore φ 12, φ 16



MGB Bore φ 20, φ 25



MGU Bore φ 20, φ 25



No.	零件名稱 part name	數量 Quantity	No.	零件名稱 part name	數量 Quantity	No.	零件名稱 part name	數量 Quantity
1	前蓋 Rod cover	1	9	孔用扣環 Snap ring	2	17	磁環 Magnet	1
2	活塞本體 Piston	1	10	孔用扣環 Snap ring	2	18	乾式軸承 Oilless bearing	2
3	活塞桿 Piston rod	1	11	乾式軸承 Oilless bearing	1	19	線性軸承 Linear bearing	2
4	氣缸本體 Cylinder tube	1	12	軸封 Rod packing	1	20	繫緊螺絲 Rod-fix bolt	1
5	磁環座 Magnet holder	1	13	活塞迫緊 Piston packing	1	21	繫緊螺絲 Plate bolt	2
6	後蓋 Head cover	1	14	防震墊片 Shockproof lining	1	22	活塞螺絲 Piston boil	1
7	連接板 Front plate	1	15	後蓋O型環 Cylinder gasket	2	23	O型環 O-ring	1
8	導桿 Guide stem	2	16	O型環 Cushion O-ring	1	24	軸承墊片 Bearing lining	1

導桿氣壓

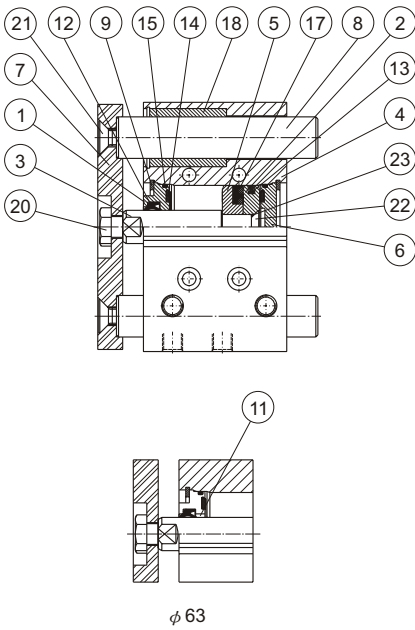
修理包 Seal Kit 訂購代號 Order No.

MGSK 63 • 內徑 Bore

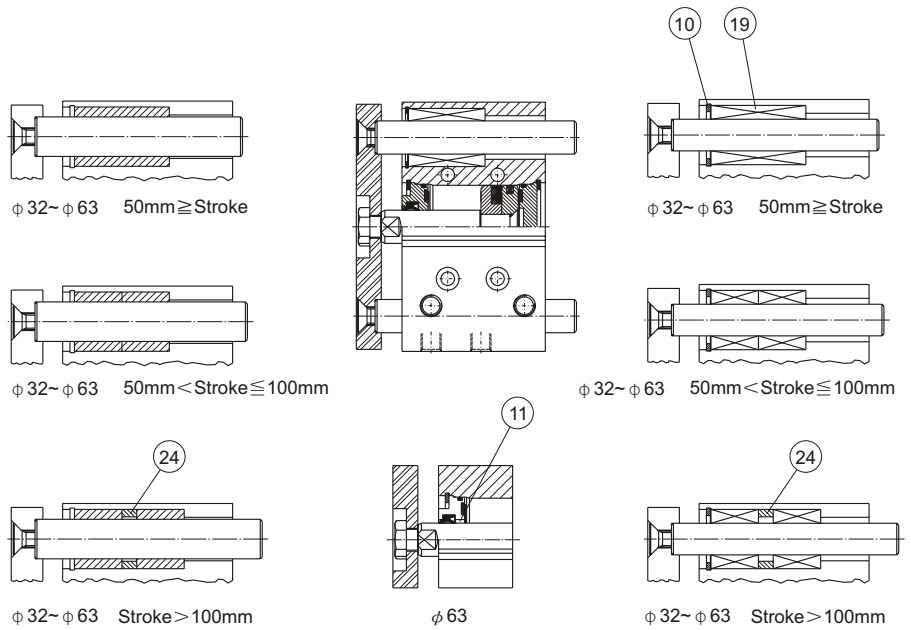
32	MGSK32 - Including No.12,13,15
40	MGSK40 - Including No.12,13,15
50	MGSK50 - Including No.12,13,15
63	MGSK63 - Including No.12,13,15

內部結構 Inside structure & parts list

MGB Bore ϕ 32~ ϕ 63



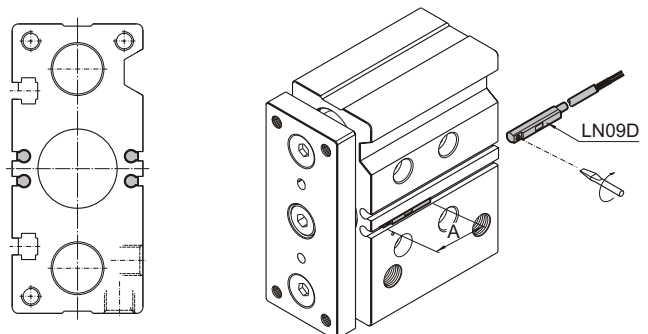
MGU Bore ϕ 32~ ϕ 63



No.	零件名稱 part name	數量 Quantity	No.	零件名稱 part name	數量 Quantity	No.	零件名稱 part name	數量 Quantity
1	前蓋 Rod cover	1	9	孔用扣環 Snap ring	2	17	磁環 Magnet	1
2	活塞本體 Piston	1	10	孔用扣環 Snap ring	2	18	乾式軸承 Oilless bearing	2
3	活塞桿 Piston rod	1	11	乾式軸承 Oilless bearing	1	19	線性軸承 Linear bearing	2
4	氣缸本體 Cylinder tube	1	12	軸封 Rod packing	1	20	繫緊螺絲 Rod-fix bolt	1
5	磁環座 Magnet holder	1	13	活塞迫緊 Piston packing	1	21	繫緊螺絲 Plate bolt	2
6	後蓋 Head cover	1	14	防震墊片 Shockproof lining	1	22	活塞螺絲 Piston bolt	1
7	連接板 Front plate	1	15	後蓋O型環 Cylinder gasket	2	23	O型環 O-ring	1
8	導桿 Guide stem	2	16	O型環 Cushion O-ring	1	24	軸承墊片 Bearing lining	1

近接開關 Sensor switches 尺寸圖 Dimension ϕ 12~ ϕ 63

Bore	近接開關型式 sensor switch	A
ϕ 12	LN09D	25.5
ϕ 16	LN09D	25.5
ϕ 20	LN09D	25.5
ϕ 25	LN09D	25.5
ϕ 32	LN09D	25.5
ϕ 40	LN09D	25.5
ϕ 50	LN09D	25.5
ϕ 63	LN09D	25.5

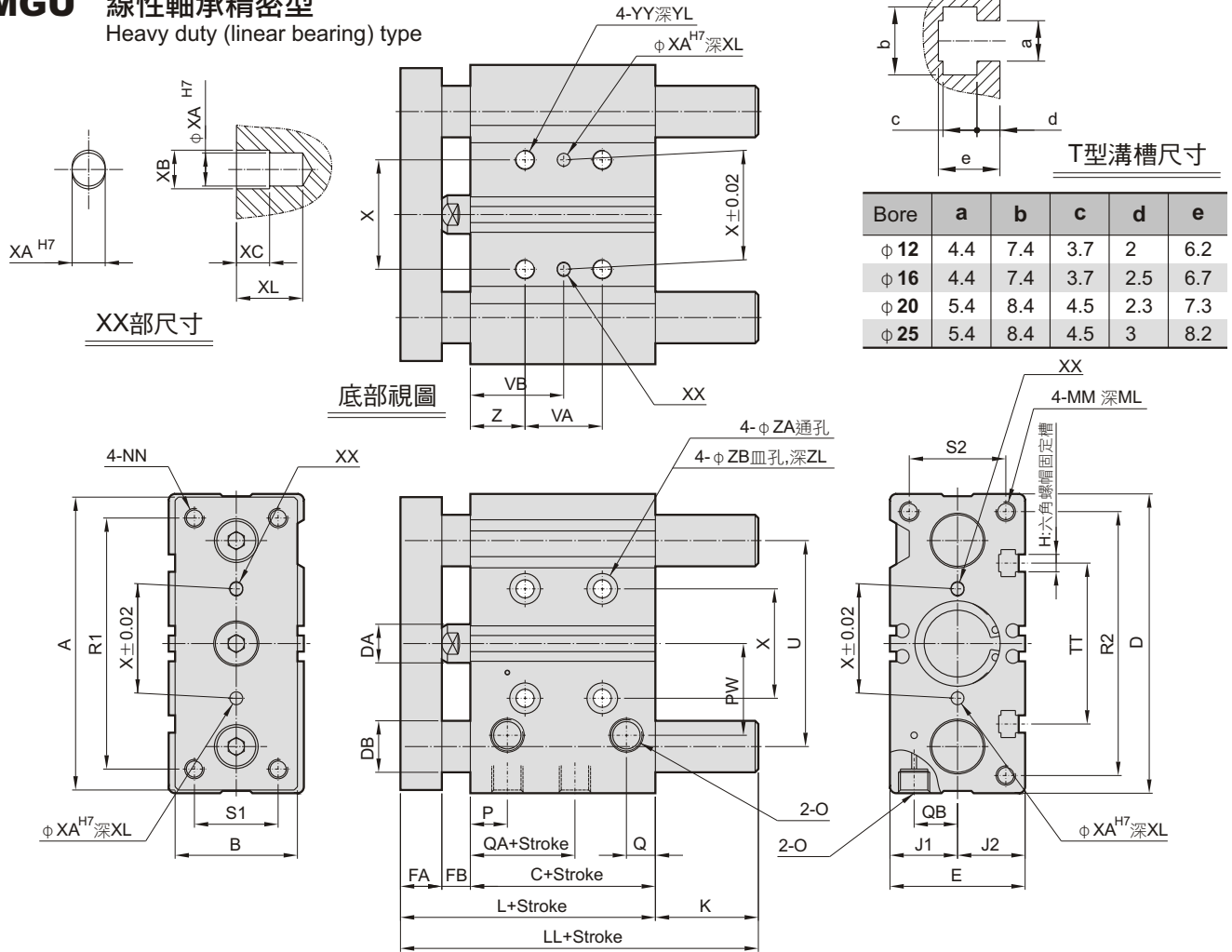


尺寸圖 Dimension $\phi 12 \sim \phi 25$

MGB 含油軸襯重負荷型
Heavy duty (bush) type



MGU 線性軸承精密型
Heavy duty (linear bearing) type



Bore	Stroke	A	B	C	D	DA	DB		E	FA	FB	H	J1	J2	L	MM	ML	NN	O	P	Q
							MGB	MGU													
$\phi 12$	10~100	56	22	29	58	6	8	6	26	8	5	M4	13	13	42	M4×P0.7	10	M4×P0.7	M5×P0.8	11	7.5
$\phi 16$		62	25	33	64	8	10	8	30	8	5	M4	15	15	46	M5×P0.8	12	M5×P0.8	M5×P0.8	11	8
$\phi 20$	20~175	81	30	37	83	10	12	10	36	10	6	M5	18	18	53	M5×P0.8	13	M5×P0.8	PT 1/8	11.5	9
$\phi 25$		91	38	37.5	93	12	16	12	42	10	6	M5	21	21	53.5	M6×P1.0	15	M6×P1.0	PT 1/8	11.5	9

Bore	Stroke	QA	QB	PW	TT	U	VA			VB			S1	S2	R1	R2	X	YA	YB	YC
							Stroke ≤ 30	30 < Stroke ≤ 100	Stroke > 100	Stroke ≤ 30	30 < Stroke ≤ 100	Stroke > 100								
$\phi 12$	10~100	13	8	18	37	41	20	40	—	15	25	—	14	18	48	50	23	3	3.5	3
$\phi 16$		15	10	19	38	46	24	44	—	17	27	—	16	22	54	56	24	3	3.5	3
$\phi 20$	20~175	12.5	11.5	25	44	54	24	44	120	29	39	77	18	24	70	72	28	3	3.5	3
$\phi 25$		12.5	13.5	28.5	50	64	24	44	120	29	39	77	26	30	78	82	34	4	4.5	3

Bore	Stroke	XL	YY	YL	Z	ZA	ZB	ZL	MGB				MGU							
									K		LL		K		LL					
									Stroke ≤ 50	Stroke > 50	Stroke ≤ 50	Stroke > 50	Stroke ≤ 30	30 < Stroke ≤ 100	Stroke > 100	Stroke ≤ 30	30 < Stroke ≤ 100	Stroke > 100		
$\phi 12$	10~100	6	M5×P0.8	10	5	4.3	8	4.5	0	15	42	57	0	15	—	42	57	—	—	—
$\phi 16$		6	M5×P0.8	10	5	4.3	8	4.5	0	22	46	68	0	22	—	46	68	—	—	—
$\phi 20$	20~175	6	M6×P1.0	12	17	5.6	9.5	5	0	28	53	81	0	28	52	53	81	105	—	—
$\phi 25$		6	M6×P1.0	12	17	5.6	9.5	5.5	0	29	53.5	82.5	0	29	50	53.5	84.5	104	—	—

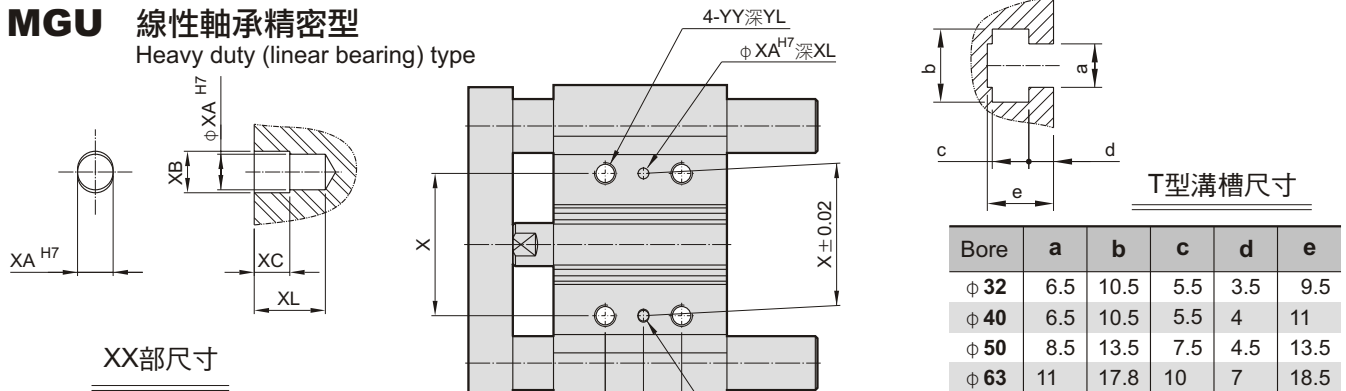
導桿氣壓

尺寸圖 Dimension $\phi 32 \sim \phi 63$

MGB 含油軸襯重負荷型
Heavy duty (bush) type

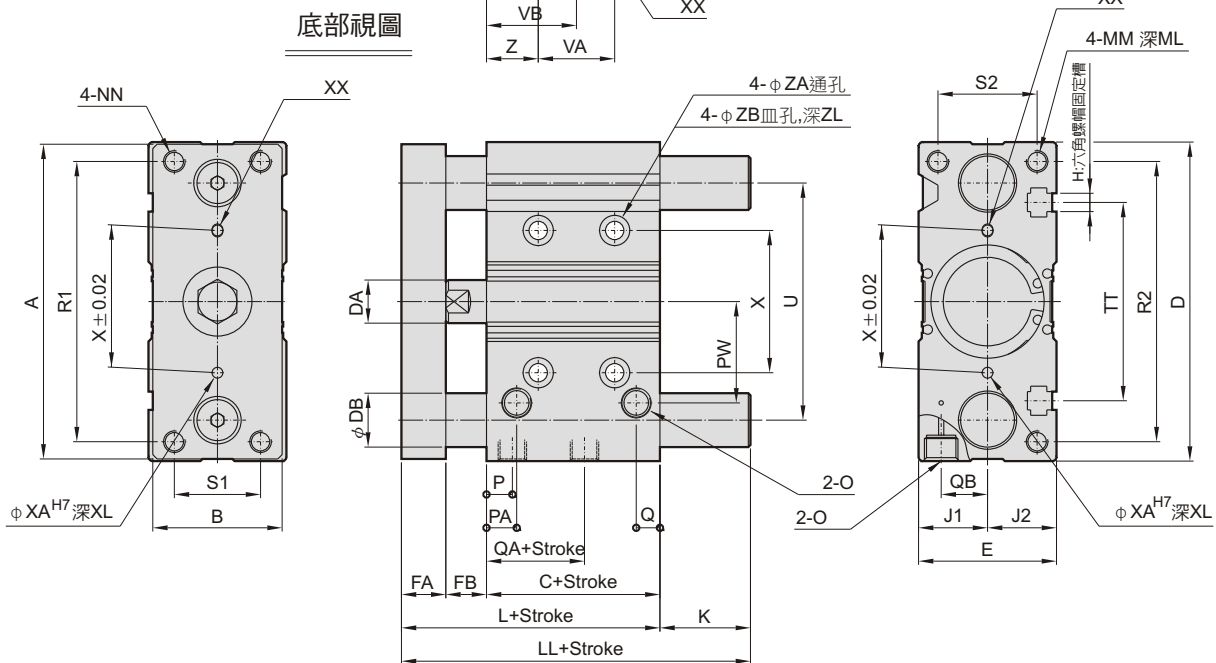


MGU 線性軸承精密型
Heavy duty (linear bearing) type



T型溝槽尺寸

Bore	a	b	c	d	e
$\phi 32$	6.5	10.5	5.5	3.5	9.5
$\phi 40$	6.5	10.5	5.5	4	11
$\phi 50$	8.5	13.5	7.5	4.5	13.5
$\phi 63$	11	17.8	10	7	18.5



Bore	Stroke	A	B	C	D	DA	DB		E	FA	FB	H	J1	J2	L	MM	ML	NN	O	P	Q
							MGB	MGU													
$\phi 32$	25,50,	110	44	37.5	112	16	20	16	48	12	10	M6	24	24	59.5	M8×P1.25	20	M8×P1.25	PT 1/8	11.5	10
$\phi 40$	75,100,	118	44	44	120	16	20	16	54	12	10	M6	27	27	66	M8×P1.25	20	M8×P1.25	PT 1/8	14	11
$\phi 50$	125,150	146	60	44	148	20	25	20	64	16	12	M8	32	32	72	M10×P1.5	22	M10×P1.5	PT 1/4	12	11
$\phi 63$		158	70	49	162	20	25	20	78	16	12	M10	39	39	77	M10×P1.5	22	M10×P1.5	PT 1/4	16.5	13

Bore	Stroke	QA	QB	PA	PW	TT	U	VA			VB			S1	S2	R1	R2	X	XA	XB
								Stroke ≤ 30	30 < Stroke ≤ 100	Stroke > 100	Stroke ≤ 30	30 < Stroke ≤ 100	Stroke > 100							
								$\phi 32$	25,50,	5	16.5	11.5	34							
$\phi 40$	75,100,	11	18	14	38	72	86	24	48	124	34	46	84	30	40	104	106	50	4	4.5
$\phi 50$	125,150	9	21.5	14	47	92	110	24	48	124	36	48	86	40	46	130	130	66	5	6
$\phi 63$		14	28	16.5	55	110	124	28	52	128	38	50	88	50	58	130	142	80	5	6

Bore	Stroke	XC	XL	YY	YL	Z	ZA	ZB	ZL	MGB				MGU					
										K		LL		K		LL			
										25, 50	Stroke ≥ 50	25, 50	Stroke ≥ 50	25, 50	75, 100	Stroke ≥ 100	25, 50	75, 100	Stroke ≥ 100
$\phi 32$	25,50,	3	6	M8×P1.25	16	21	6.5	11	7.5	8	45	67.5	104.5	8	45	65	67.5	104.5	124.5
$\phi 40$	75,100,	3	6	M8×P1.25	16	22	6.5	11	7.5	1.5	38.5	67.5	104.5	1.5	38.5	58.5	67.5	104.5	124.5
$\phi 50$	125,150	4	8	M10×P1.5	20	24	8.5	14	9	6.5	48.5	78.5	120.5	6.5	48.5	68.5	78.5	120.5	140.5
$\phi 63$		4	8	M10×P1.5	20	24	8.5	14	9	1.5	43.5	78.5	120.5	1.5	43.5	63.5	78.5	120.5	140.5