

- CJ系列可附磁性感應。
- 本系列外形輕薄，有效的節省空間。
- Magnetic piston (optional)

單雙動氣缸 Double-Single acting cylinders

CJI	單動常入型 SINGLE ACTING-NORMALLY RETRACTED PISTON ROD TYPE	
CJIR	單動常入型(附磁性感應) SINGLE ACTING-NORMALLY RETRACTED PISTON ROD TYPE (piston with magnet)	
CJO	單動常出型 SINGLE ACTING-NORMALLY EXTENDED PISTON ROD TYPE	
CJOR	單動常出型(附磁性感應) SINGLE ACTING-NORMALLY EXTENDED PISTON ROD TYPE (piston with magnet)	
CJ	雙動標準型 DOUBLE ACTING-SINGLE END ROD TYPE	
CJR	雙動型(附磁性感應) DOUBLE ACTING-SINGLE END ROD TYPE (piston with magnet)	
CJN	雙軸可調行程 DOUBLE ACTING-ADJUSTABLE FOWARD STROKE TYPE	
CJNR	雙軸可調行程(附磁性感應) DOUBLE ACTING-ADJUSTABLE FOWARD STROKE TYPE (piston with magnet)	
CJD	雙動雙軸型 DOUBLE ACTING-DOUBLE END ROD TYPE	
CJDR	雙動雙軸型(附磁性感應) DOUBLE ACTING-DOUBLE END ROD TYPE (piston with magnet)	

規格表 Specifications

氣缸內徑 Bore sizes of cylinder (mm)	φ 12	φ 16	φ 20	φ 25	φ 32	φ 40	φ 50	φ 63	φ 80	φ 100
標準行程 Standard stroke (mm)	10, 15, 20, 25, 30, 35, 40, 45, 50, 55, 60, 75, 85, 100, 125, 150									
雙動行程範圍 The range of stroke (mm)	最大30		最大150							
工作媒體 Power fluid	已濾清之壓縮空氣(潤滑或未潤滑) Filtered air with or without lubrication									
使用壓力範圍 The range of pressure (kgf/cm ²)	2 ~ 7		1.5 ~ 7			1 ~ 7				
使用溫度範圍 The range of temperature (°C)	-10 ~ 60									

訂購代號 Order No.

CJN R 20 125 B A LN-01D × 2

- 型式 Type**
 - CJI
 - CJO
 - CJ
 - CJD
 - CJN
- 行程 Stroke**: 20
- 內徑 Bore**: 125
- 磁性感應 Magnet**: R (附磁性感應 with magnet)
- 可調行程 Adjustable stroke**: A (可調25mm Adjustable 25mm), B (可調40mm Adjustable 40mm)
- 軸端型式 Rod end type**:
 - A: 軸牙為內牙 Female thread in rod end
 - B: 軸牙為外牙 Male thread in rod end
- 感應器數量 Quantity**: 2
- 近接開關 Sensor switch**: LN-01D, LN-09D

行程規格表 Cylinder bore and stroke

型式 Type	內徑 Bore	標準行程 standard stroke														標準行程(附磁性感應) with magnet cylinder stroke																	
		5	10	15	20	25	30	35	40	45	50	55	60	75	85	100	125	150	5	10	15	20	25	30	35	40	45	50	55	65	75	90	115
CJI- <input type="checkbox"/> 單動常入型 Single acting-Normally retracted piston rod	φ 12	●	●	●	●													●	●	●	●	●											
	φ 16	●	●	●	●													●	●	●	●	●											
	φ 20	◎	●	◎	●	◎	●											◎	●	◎	●	●											
	φ 25	◎	●	◎	●	◎	●											◎	●	◎	●	●											
	φ 32	◎	●	◎	●	◎	●											◎	●	◎	●	●											
CJO- <input type="checkbox"/> 單動常出型 Single acting-Normally extended piston rod	φ 32	◎	●	◎	●	◎	●										◎	●	◎	●	●												
	φ 40	◎	●	◎	●	◎	●										◎	●	◎	●	●												
	φ 50	◎	●	◎	●	◎	●										◎	●	◎	●	●												
	φ 12	●	●	●	●	●	◎	●	◎	●								●	●	●	●	◎	●	◎	●	●							
	φ 16	●	●	●	●	●	◎	●	◎	●								◎	●	◎	●	◎	●	◎	●	◎	●						
CJ- <input type="checkbox"/> 雙動單軸型 Double acting - Single end rod	φ 20	◎	●	◎	●	◎	●	◎	●	◎	●						◎	●	◎	●	◎	●	◎	●	◎	●							
	φ 25	◎	●	◎	●	◎	●	◎	●	◎	●						◎	●	◎	●	◎	●	◎	●	◎	●							
	φ 32	◎	●	◎	●	◎	●	◎	●	◎	●						◎	●	◎	●	◎	●	◎	●	◎	●							
	φ 40	◎	●	◎	●	◎	●	◎	●	◎	●						◎	●	◎	●	◎	●	◎	●	◎	●							
	φ 50	◎	●	◎	●	◎	●	◎	●	◎	●						◎	●	◎	●	◎	●	◎	●	◎	●							
	φ 63	◎	●	◎	●	◎	●	◎	●	◎	●						◎	●	◎	●	◎	●	◎	●	◎	●							
	φ 80	◎	●	◎	●	◎	●	◎	●	◎	●						◎	●	◎	●	◎	●	◎	●	◎	●							
	φ 100	◎	●	◎	●	◎	●	◎	●	◎	●						◎	●	◎	●	◎	●	◎	●	◎	●							
CJD- <input type="checkbox"/> 雙動雙軸型 Double acting - Double end rod	φ 20	◎	●	◎	●	◎	●	◎	●	◎	●						◎	●	◎	●	◎	●	◎	●	◎	●							
	φ 25	◎	●	◎	●	◎	●	◎	●	◎	●						◎	●	◎	●	◎	●	◎	●	◎	●							
	φ 32	◎	●	◎	●	◎	●	◎	●	◎	●						◎	●	◎	●	◎	●	◎	●	◎	●							
	φ 40	◎	●	◎	●	◎	●	◎	●	◎	●						◎	●	◎	●	◎	●	◎	●	◎	●							
	φ 50	◎	●	◎	●	◎	●	◎	●	◎	●						◎	●	◎	●	◎	●	◎	●	◎	●							
	φ 63	◎	●	◎	●	◎	●	◎	●	◎	●						◎	●	◎	●	◎	●	◎	●	◎	●							
	φ 80	◎	●	◎	●	◎	●	◎	●	◎	●						◎	●	◎	●	◎	●	◎	●	◎	●							
CJN- <input type="checkbox"/> 雙動行程可調型 Adjustable stroke- Double acting	φ 20					●				●											●												
	φ 25					●				●											●												
	φ 32					●				●											●												
	φ 40					●				●											●												
	φ 50					●				●											●												
	φ 63					●				●											●												
	φ 80					●				●											●												

註：◎之氣缸本體長度須加長5mm

Additional 5mm to be added into the overall cylinder length.

例：CJ 20N35之外形尺寸與CJ 20N40相同

For example CJ 20N35. The overall cylinder length is same as CJ 20N40.

理論出力表 Theoretic force

單位:N

型式 Type	內徑 Bore (mm)	軸徑 Rod dia. (mm)	受壓面積 Pressure area (mm ²)	操作壓力 Operating pressure(MPa)					
				0.2	0.3	0.4	0.5	0.6	0.7
CJI- <input type="checkbox"/> 單動常入型 Single acting - Normally retracted piston rod	φ 12	φ 6	113	13	25	36	47	58	70
	φ 16	φ 6	201	29	49	69	89	107	129
	φ 20	φ 8	314	50	80	110	140	170	200
	φ 25	φ 10	491	70	120	170	220	270	320
	φ 32	φ 12	804	110	190	270	350	430	510
	φ 40	φ 16	1257	190	320	440	570	690	820
	φ 50	φ 20	1963	340	540	740	930	1130	1330
CJO- <input type="checkbox"/> 單動常出型 Single acting-Normally extended piston rod	φ 12	φ 6	85	7	16	24	33	41	49
	φ 16	φ 6	173	22	40	57	74	91	109
	φ 20	φ 8	264	40	60	90	110	140	170
	φ 25	φ 10	412	60	100	140	180	220	260
	φ 32	φ 12	691	90	160	220	290	360	430
	φ 40	φ 16	1056	150	260	360	470	570	680
	φ 50	φ 20	1649	280	450	610	780	940	1110

尺寸圖 Dimension $\phi 12 \sim \phi 100$

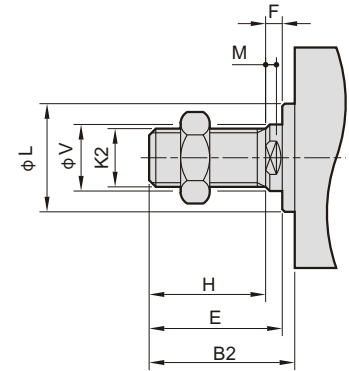
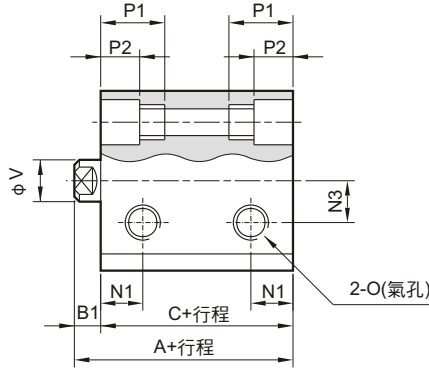
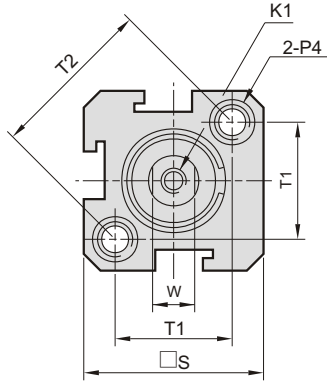
CJ / CJR 雙動型

Double acting - standard type

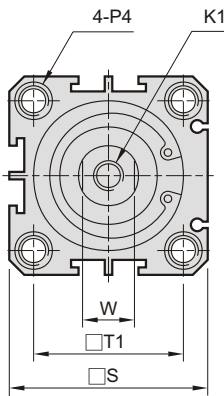
Bore $\phi 12, \phi 16$



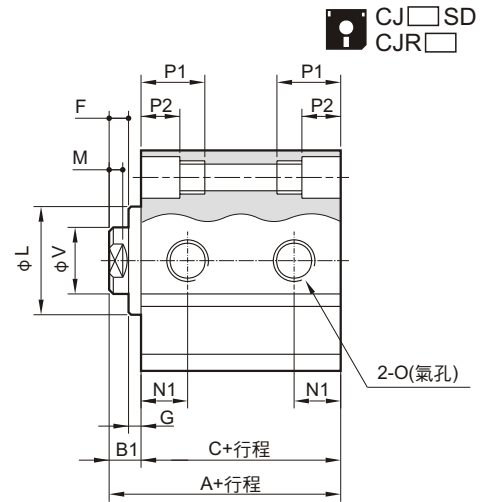
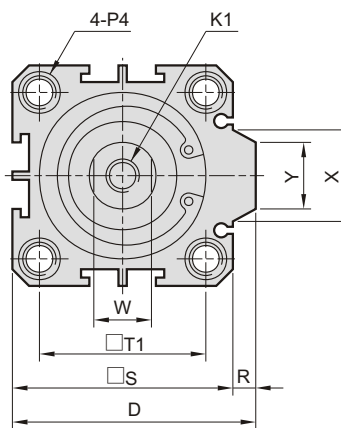
CJ..B



Bore $\phi 20, \phi 25$



Bore $\phi 32 \sim \phi 100$



右列行程之本體長度 "C" 尺寸相同 : (5,10)(15,20)(25,30)(35,40)(45,50)(55,60)

The length "C" of cylinder body is same of the stroke: (5,10)(15,20)(25,30)(35,40)(45,50)(55,60)

Bore	CJ		CJR		B1	B2	D	E	F	G	H	K1(內牙)	K2(外牙)	L	M	N1
	A	C	A	C												
$\phi 12$	25	20.5	35	30.5	4.5	14.5	-	14.5	4.5	-	9	M3×P0.5×7L	M5×P0.8	9.8	3	7.5
$\phi 16$	25.2	21.5	35.2	31.5	3.7	14.5	-	13.7	3.7	-	9	M3×P0.5×7L	M5×P0.8	10	3	8
$\phi 20$	25	19.5	35	29.5	5.5	19.5	-	18	4	1.5	13	M4×P0.7×10L	M6×P1.0	13	3	7.5
$\phi 25$	27.2	21.2	37.2	31.2	6	22	-	20.1	4.1	1.9	15	M5×P0.8×10L	M8×P1.25	17	3	8
$\phi 32$	31	24	41	34	7	24	50	20.7	3.7	3.3	16	M6×P1.0×14L	M10×P1.25	22	3	9
$\phi 40$	33.5	26.5	43.5	36.5	7	34	58.5	30.7	3.7	3.3	25	M8×P1.25×14L	M14×P1.5	28	3	10
$\phi 50$	37.6	28.6	47.6	38.6	9	36	71.5	32.1	5.1	3.9	25	M10×P1.5×15L	M18×P1.5	38	3	10.8
$\phi 63$	41	32.5	51	42.5	8.5	35.5	84.5	31.6	4.6	3.9	25	M10×P1.5×15L	M18×P1.5	40	3	11
$\phi 80$	52	41.3	62	51.3	10.7	43.7	104	38.7	5.7	5	30	M14×P1.5×20L	M22×P1.5	45	4	13
$\phi 100$	54	45.3	64	55.3	8.7	41.7	124	38.7	5.7	3	30	M16×P2.0×20L	M22×P1.5	45	4	15

Bore	N3	O	P1	P2	P4	R	S	T1	T2	V	W	X	Y
$\phi 16$	6.5	M5×0.8	10.5	4.5	$\phi 4.3 \times 2 - M5 \times P0.8 \times 6L, \phi 6.5 \times 4.5L$	-	29	19.8	28	6	5	-	-
$\phi 20$	-	M5×0.8	11	5	$\phi 4.3 \times 2 - M5 \times P0.8 \times 6L, \phi 7 \times 5L$	-	34	24	-	8	6	-	-
$\phi 25$	-	M5×0.8	14	6	$\phi 5.1 \times 2 - M6 \times P1.0 \times 8L, \phi 8 \times 6L$	-	40	28	-	10	8	-	-
$\phi 32$	-	PT 1/8	14	6	$\phi 5.1 \times 2 - M6 \times P1.0 \times 8L, \phi 8 \times 6L$	6	44	34	-	12	10	15	13.6
$\phi 40$	-	PT 1/8	18	8	$\phi 6.8 \times 2 - M8 \times P1.25 \times 10L, \phi 10 \times 8L$	6.5	52	40	-	16	14	15	13.6
$\phi 50$	-	PT 1/4	18.5	8.5	$\phi 6.8 \times 2 - M8 \times P1.25 \times 10L, \phi 11 \times 8.5L$	9.5	62	48	-	20	17	21.6	19
$\phi 63$	-	PT 1/4	18.5	8.5	$\phi 6.8 \times 2 - M8 \times P1.25 \times 10L, \phi 11 \times 8.5L$	9.5	75	60	-	20	17	32	20.5
$\phi 80$	-	PT 3/8	22.5	10.5	$\phi 10.4 \times 2 - M12 \times P1.75 \times 12L, \phi 14 \times 10.5L$	10	94	74	-	25	22	38.8	26.8
$\phi 100$	-	PT 3/8	28	13	$\phi 12.5 \times 2 - M14 \times P2.0 \times 15L, \phi 18.5 \times 13L$	10	114	90	-	25	22	37.3	26.3

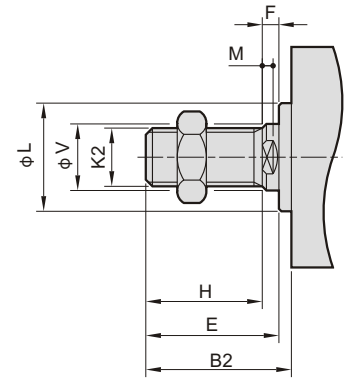
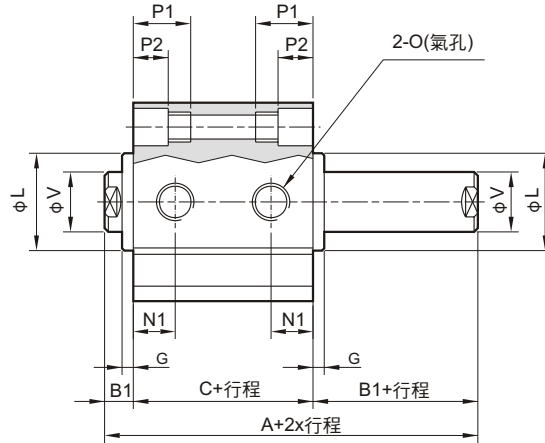
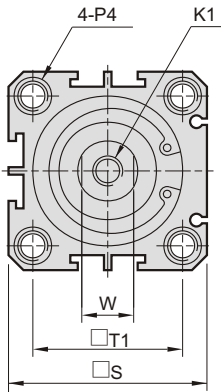
尺寸圖 Dimension $\phi 20 \sim \phi 100$

CJD / CJDR 雙動雙軸型
Double acting-double end rod type

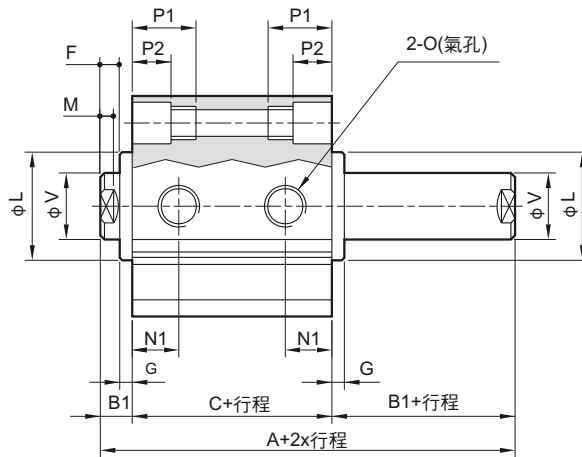
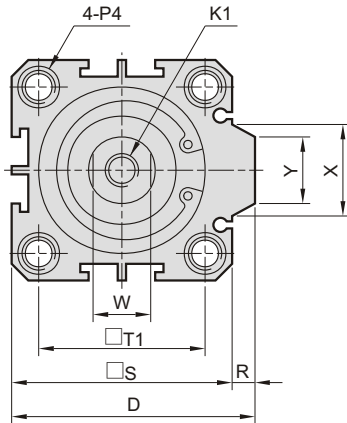
CJD SD
 CJDR

CJD..B CJD B
 CJDR B

Bore $\phi 20, \phi 25$



Bore $\phi 32 \sim \phi 100$



CJD SD
 CJDR

右列行程之本體長度 "C" 尺寸相同 : (5,10)(15,20)(25,30)(35,40)(45,50)(55,60)

The length "C" of cylinder body is same of the stroke: (5,10)(15,20)(25,30)(35,40)(45,50)(55,60)

Bore	CJD		CJDR		B1	B2	D	E	F	G	H	K1(內牙)	K2(外牙)	L	M	N1
	A	C	A	C												
$\phi 20$	30.5	19.5	40.5	29.5	5.5	19.5	-	18	4	1.5	13	M4×P0.7×10L	M6×P1.0	13	3	7.5
$\phi 25$	33.2	21.2	43.2	31.2	6	22	-	20.1	4.1	1.9	15	M5×P0.8×10L	M8×P1.25	17	3	8
$\phi 32$	38	24	48	34	7	24	50	20.7	3.7	3.3	16	M6×P1.0×14L	M10×P1.25	22	3	9
$\phi 40$	40.5	26.5	50.5	36.5	7	34	58.5	30.7	3.7	3.3	25	M8×P1.25×14L	M14×P1.5	28	3	10
$\phi 50$	46.6	28.6	56.6	38.6	9	36	71.5	32.1	5.1	3.9	25	M10×P1.5×15L	M18×P1.5	38	3	10.8
$\phi 63$	49.5	32.5	59.5	42.5	8.5	35.5	84.5	31.6	4.6	3.9	25	M10×P1.5×15L	M18×P1.5	40	3	11
$\phi 80$	62.7	41.3	72.7	51.3	10.7	43.7	104	38.7	5.7	5	30	M14×P1.5×20L	M22×P1.5	45	4	13
$\phi 100$	62.7	45.3	72.7	55.3	8.7	41.7	124	38.7	5.7	3	30	M16×P2.0×20L	M22×P1.5	45	4	15

Bore	N3	O	P1	P2	P4	R	S	T1	V	W	X	Y
$\phi 25$	-	M5×0.8	14	6	$\phi 5.1 \times 2 - M6 \times P1.0 \times 8L, \phi 8 \times 6L$	-	40	28	10	8	-	-
$\phi 32$	-	PT 1/8	14	6	$\phi 5.1 \times 2 - M6 \times P1.0 \times 8L, \phi 8 \times 6L$	6	44	34	12	10	15	13.6
$\phi 40$	-	PT 1/8	18	8	$\phi 6.8 \times 2 - M8 \times P1.25 \times 10L, \phi 10 \times 8L$	6.5	52	40	16	14	15	13.6
$\phi 50$	-	PT 1/4	18.5	8.5	$\phi 6.8 \times 2 - M8 \times P1.25 \times 10L, \phi 11 \times 8.5L$	9.5	62	48	20	17	21.6	19
$\phi 63$	-	PT 1/4	18.5	8.5	$\phi 6.8 \times 2 - M8 \times P1.25 \times 10L, \phi 11 \times 8.5L$	9.5	75	60	20	17	32	20.5
$\phi 80$	-	PT 3/8	22.5	10.5	$\phi 10.4 \times 2 - M12 \times P1.75 \times 12L, \phi 14 \times 10.5L$	10	94	74	25	22	38.8	26.8
$\phi 100$	-	PT 3/8	28	13	$\phi 12.5 \times 2 - M14 \times P2.0 \times 15L, \phi 18.5 \times 13L$	10	114	90	25	22	37.3	26.3

尺寸圖 Dimension $\phi 20 \sim \phi 100$

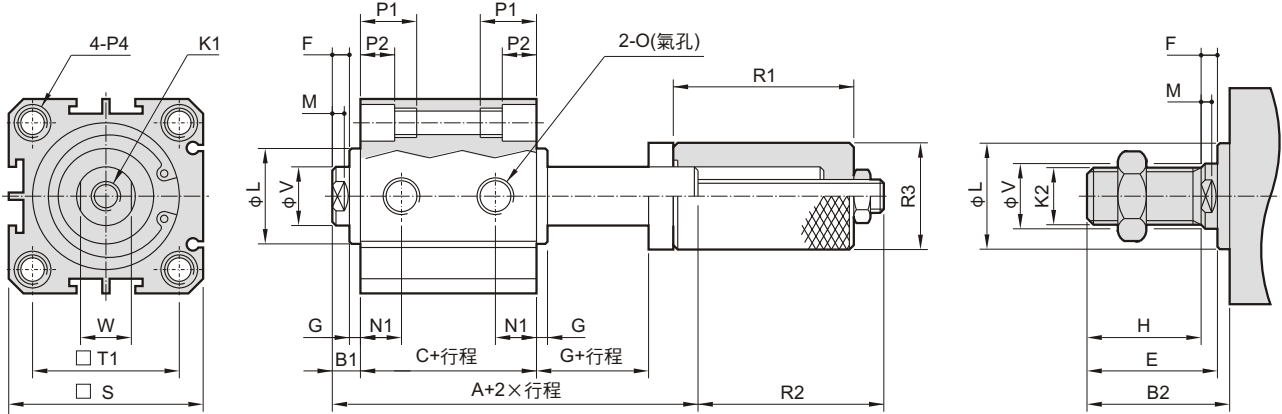
CJN..A / CJNR..A 雙軸可調行程 (可調 25mm)
Double acting-adjustable forward stroke type

CJN SD
 CJNR

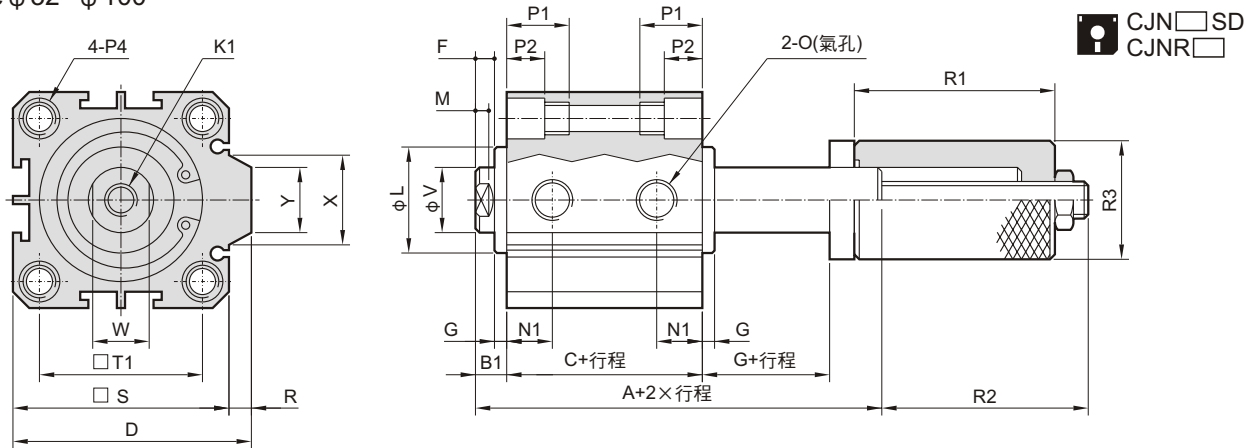
CJN..B

CJN B
 CJNR B

Bore $\phi 20, \phi 25$



Bore $\phi 32 \sim \phi 100$



右列行程之本體長度 "C" 尺寸相同 : (5,10)(15,20)(25,30)(35,40)(45,50)(55,60)

The length "C" of cylinder body is same of the stroke: (5,10)(15,20)(25,30)(35,40)(45,50)(55,60)

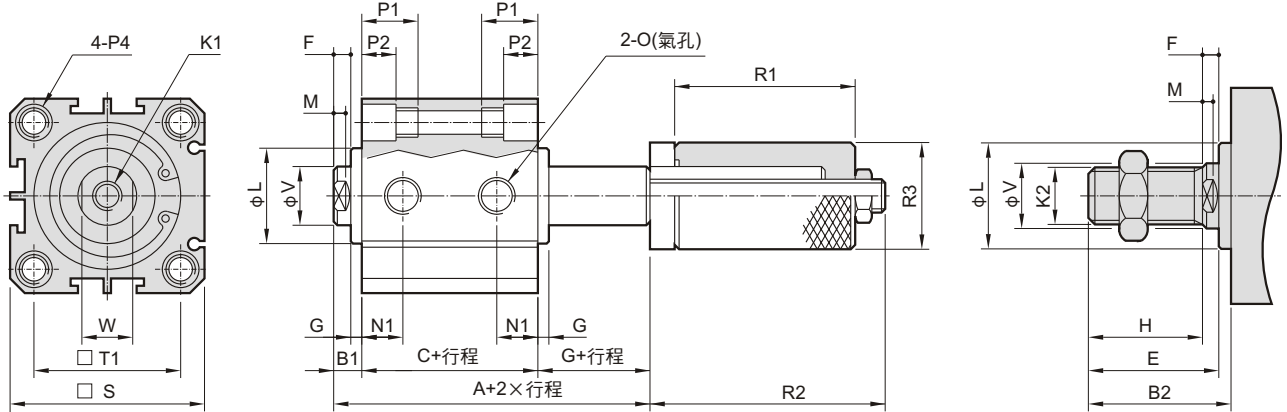
Bore	CJN		CJNR		B1	B2	D	E	F	G	H	K1(內牙)	K2(外牙)	L	M	N1
	A	C	A	C												
$\phi 20$	26.5	19.5	36.5	29.5	5.5	19.5	-	18	4	1.5	13	M4×P0.7×10L	M6×P1.0	13	3	7.5
$\phi 25$	29.1	21.2	39.1	31.2	6	22	-	20.1	4.1	1.9	15	M5×P0.8×10L	M8×P1.25	17	3	8
$\phi 32$	34.3	24	44.3	34	7	24	50	20.7	3.7	3.3	16	M6×P1.0×14L	M10×P1.25	22	3	9
$\phi 40$	36.8	26.5	46.8	36.5	7	34	58.5	30.7	3.7	3.3	25	M8×P1.25×14L	M14×P1.5	28	3	10
$\phi 50$	41.5	28.6	51.5	38.6	9	36	71.5	32.1	5.1	3.9	25	M10×P1.5×15L	M18×P1.5	38	3	10.8
$\phi 63$	44.9	32.5	54.9	42.5	8.5	35.5	84.5	31.6	4.6	3.9	25	M10×P1.5×15L	M18×P1.5	40	3	11
$\phi 80$	57	41.3	67	51.3	10.7	43.7	104	38.7	5.7	5	30	M14×P1.5×20L	M22×P1.5	45	4	13
$\phi 100$	57	45.3	67	55.3	8.7	41.7	124	38.7	5.7	3	30	M16×P2.0×20L	M22×P1.5	45	4	15

Bore	O	P1	P2	P4	R	R1	R2	R3	S	T1	V	W	X	Y
$\phi 25$	M5×0.8	14	6	$\phi 5.1 \times 2 - M6 \times P1.0 \times 8L, \phi 8 \times 6L$	-	33	43	20	40	28	10	8	-	-
$\phi 32$	PT 1/8	14	6	$\phi 5.1 \times 2 - M6 \times P1.0 \times 8L, \phi 8 \times 6L$	6	33	44.5	25	44	34	12	10	15	13.6
$\phi 40$	PT 1/8	18	8	$\phi 6.8 \times 2 - M8 \times P1.25 \times 10L, \phi 10 \times 8L$	6.5	35	50	32	52	40	16	14	15	13.6
$\phi 50$	PT 1/4	18.5	8.5	$\phi 6.8 \times 2 - M8 \times P1.25 \times 10L, \phi 11 \times 8.5L$	9.5	37	57	38	62	48	20	17	21.6	19
$\phi 63$	PT 1/4	18.5	8.5	$\phi 6.8 \times 2 - M8 \times P1.25 \times 10L, \phi 11 \times 8.5L$	9.5	37	57	38	75	60	20	17	32	20.5
$\phi 80$	PT 3/8	22.5	10.5	$\phi 10.4 \times 2 - M12 \times P1.75 \times 12L, \phi 14 \times 10.5L$	10	37	59.5	44	94	74	25	22	38.8	26.8
$\phi 100$	PT 3/8	28	13	$\phi 12.5 \times 2 - M14 \times P2.0 \times 15L, \phi 18.5 \times 13L$	10	37	59.5	44	114	90	25	22	37.3	26.3

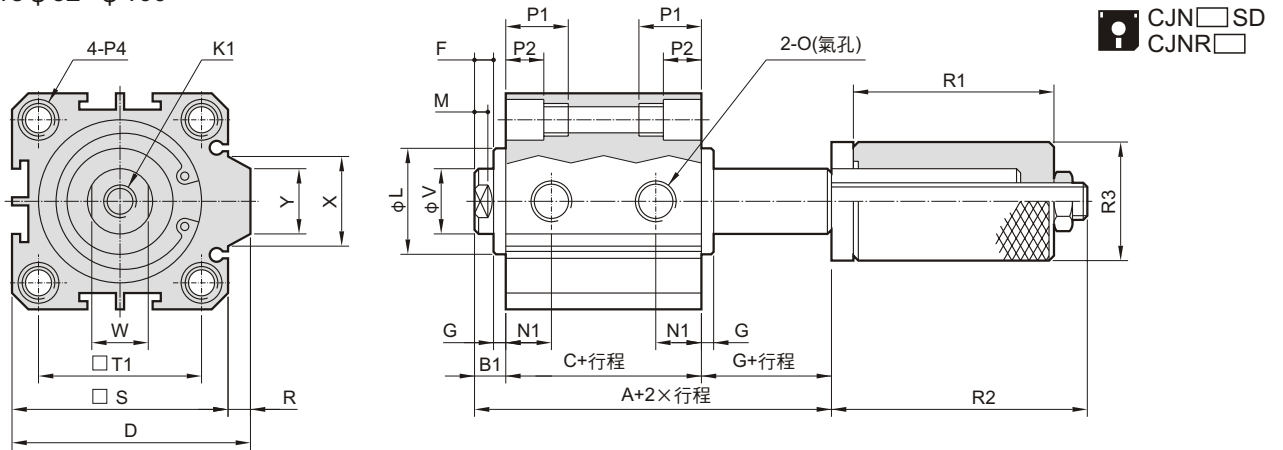
尺寸圖 Dimension $\phi 20 \sim \phi 100$

CJN..B / CJNR..B 雙軸可調行程 (可調 40mm) CJN SD CJNR **CJN..B** CJN B CJNR B
 Double acting-adjustable forward stroke type

Bore $\phi 20, \phi 25$



Bore $\phi 32 \sim \phi 100$



右列行程之本體長度 "C" 尺寸相同 : (5,10)(15,20)(25,30)(35,40)(45,50)(55,60)

The length "C" of cylinder body is same of the stroke: (5,10)(15,20)(25,30)(35,40)(45,50)(55,60)

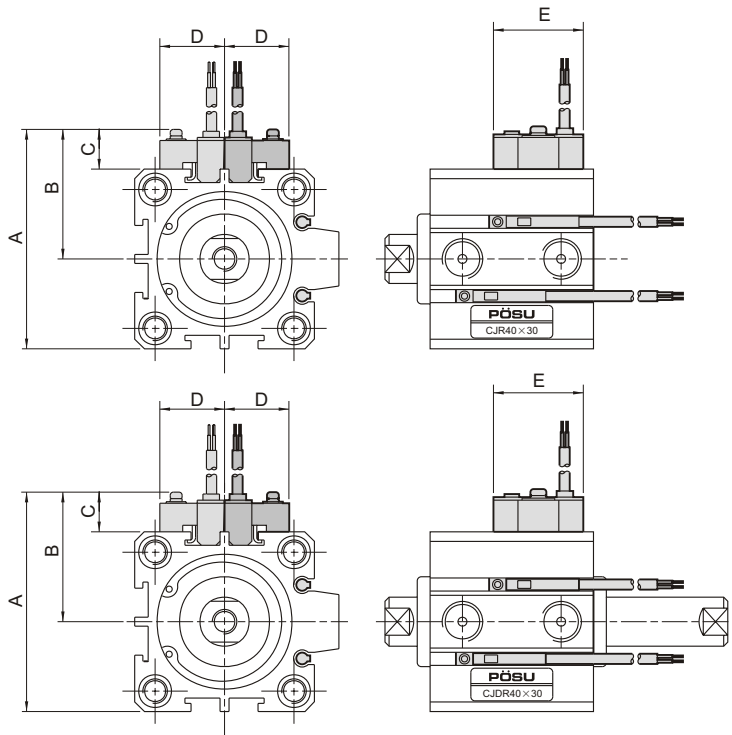
Bore	CJN		CJNR		B1	B2	D	E	F	G	H	K1(內牙)	K2(外牙)	L	M	N1
	A	C	A	C												
$\phi 20$	26.5	19.5	36.5	29.5	5.5	19.5	-	18	4	1.5	13	M4×P0.7×10L	M6×P1.0	13	3	7.5
$\phi 25$	29.1	21.2	39.5	31.2	6	22	-	20.1	4.1	1.9	15	M5×P0.8×10L	M8×P1.25	17	3	8
$\phi 32$	34.3	24	44.3	34	7	24	50	20.7	3.7	3.3	16	M6×P1.0×14L	M10×P1.25	22	3	9
$\phi 40$	36.8	26.5	46.8	36.5	7	34	58.5	30.7	3.7	3.3	25	M8×P1.25×14L	M14×P1.5	28	3	10
$\phi 50$	41.5	28.6	51.5	38.6	9	36	71.5	32.1	5.1	3.9	25	M10×P1.5×15L	M18×P1.5	38	3	10.8
$\phi 63$	44.9	32.5	54.9	42.5	8.5	35.5	84.5	31.6	4.6	3.9	25	M10×P1.5×15L	M18×P1.5	40	3	11
$\phi 80$	57	41.3	67	51.3	10.7	43.7	104	38.7	5.7	5	30	M14×P1.5×20L	M22×P1.5	45	4	13
$\phi 100$	57	45.3	67	55.3	8.7	41.7	124	38.7	5.7	3	30	M16×P2.0×20L	M22×P1.5	45	4	15

Bore	O	P1	P2	P4				R	R1	R2	R3	S	T1	V	W	X	Y
				φ	×	—	φ										
$\phi 20$	M5×0.8	11	5	φ 4.3×2	—	M5×P0.8×6L	φ 7×5L	-	56	64.5	16	34	24	8	6	-	-
$\phi 25$	M5×0.8	14	6	φ 5.1×2	—	M6×P1.0×8L	φ 8×6L	-	58	68	20	40	28	10	8	-	-
$\phi 32$	PT 1/8	14	6	φ 5.1×2	—	M6×P1.0×8L	φ 8×6L	6	58	69.5	25	44	34	12	10	15	13.6
$\phi 40$	PT 1/8	18	8	φ 6.8×2	—	M8×P1.25×10L	φ 10×8L	6.5	60	75	32	52	40	16	14	15	13.6
$\phi 50$	PT 1/4	18.5	8.5	φ 6.8×2	—	M8×P1.25×10L	φ 11×8.5L	9.5	62	82	38	62	48	20	17	21.6	19
$\phi 63$	PT 1/4	18.5	8.5	φ 6.8×2	—	M8×P1.25×10L	φ 11×8.5L	9.5	62	82	38	75	60	20	17	32	20.5
$\phi 80$	PT 3/8	22.5	10.5	φ 10.4×2	—	M12×P1.75×12L	φ 14×10.5L	10	62	84.5	44	94	74	25	22	38.8	26.8
$\phi 100$	PT 3/8	28	13	φ 12.5×2	—	M14×P2.0×15L	φ 18.5×13L	10	62	84.5	44	114	90	25	22	37.3	26.3

近接開關 Sensor switches 尺寸圖 Dimension $\phi 12 \sim \phi 100$

CJ / CJD

Bore	近接開關型式 sensor switch	A	B	C	D	E
$\phi 12$	LN01D	34.5	22	9.5	15.5	22
$\phi 16$	LN01D	38.5	24	9.5	15.5	22
$\phi 20$	LN01D	43.5	26.5	9.5	15.5	22
$\phi 25$	LN01D	49.5	29.5	9.5	15.5	22
$\phi 32$	LN01D	53.5	31.5	9.5	15.5	22
$\phi 40$	LN01D	61.5	35.5	9.5	15.5	22
$\phi 50$	LN01D	71.5	40.5	9.5	15.5	22
$\phi 63$	LN01D	84.5	47	9.5	15.5	22
$\phi 80$	LN01D	103.5	56.5	9.5	15.5	22
$\phi 100$	LN01D	123.5	66.5	9.5	15.5	22



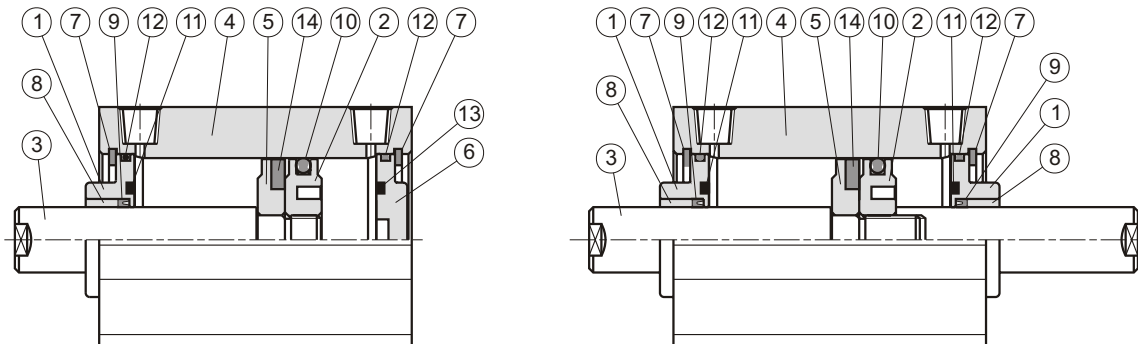
修理包 Seal Kit 訂購代號 Order No.

CJ SK 32 • 內徑 Bore

D

12	CJSK12 - Including No.9,10,12	12	CJDSK12 - Including No.9,10,12
16	CJSK16 - Including No.9,10,12	16	CJDSK16 - Including No.9,10,12
20	CJSK20 - Including No.9,10,12	20	CJDSK20 - Including No.9,10,12
25	CJSK25 - Including No.9,10,12	25	CJDSK25 - Including No.9,10,12
32	CJSK32 - Including No.9,10,12	32	CJDSK32 - Including No.9,10,12
40	CJSK40 - Including No.9,10,12	40	CJDSK40 - Including No.9,10,12
50	CJSK50 - Including No.9,10,12	50	CJDSK50 - Including No.9,10,12
63	CJSK63 - Including No.9,10,12	63	CJDSK63 - Including No.9,10,12
80	CJSK80 - Including No.9,10,12	80	CJDSK80 - Including No.9,10,12
100	CJSK100 - Including No.9,10,12	100	CJDSK100 - Including No.9,10,12

內部結構 Inside structure & parts list



No.	零件名稱 part name	數量 Quantity	No.	零件名稱 part name	數量 Quantity	No.	零件名稱 part name	數量 Quantity
1	前蓋 Rod cover	1	6	後蓋 Head cover	1	11	前蓋墊片 Rubber lining	1
2	活基本體 Piston	1	7	孔用扣環 Snap ring	2	12	前後蓋O型環 Cylinder gasket	2
3	活塞桿 Piston rod	1	8	乾式軸承 Oilless bearing	1	13	後蓋墊片 Rubber lining	1
4	氣缸本體 Cylinder tube	1	9	軸封 Rod packing	1	14	磁環 Magnet	1
5	磁環座 Magnet holder	1	10	活塞迫緊 Piston packing	1			

尺寸圖 Dimension $\phi 12 \sim \phi 50$

CJI / CJIR 單動常入型

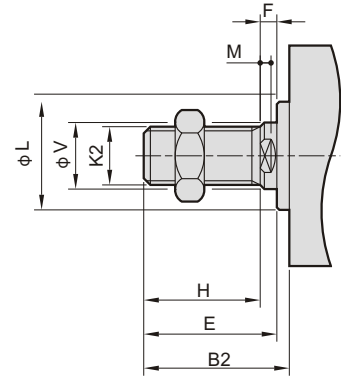
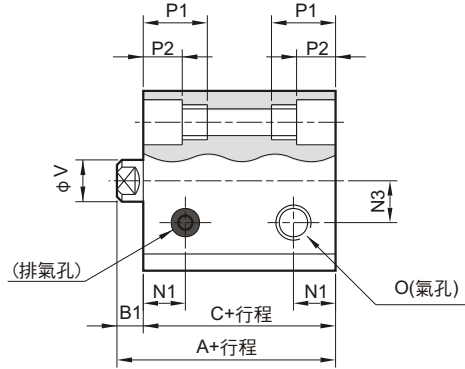
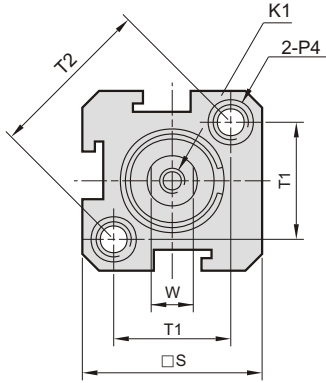
Single acting-normally retracted piston rod type



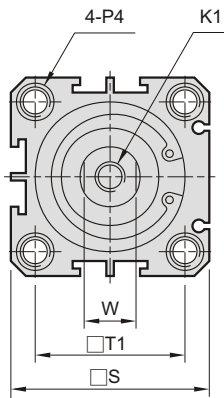
CJI..B



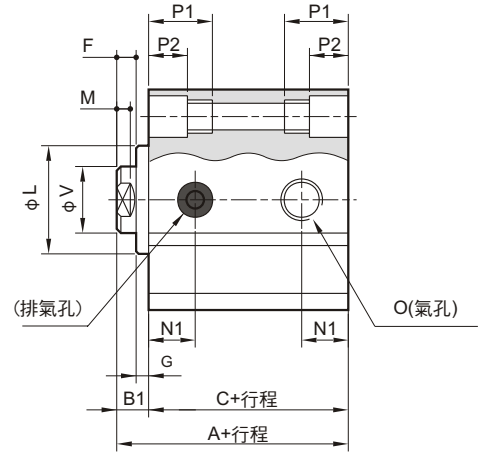
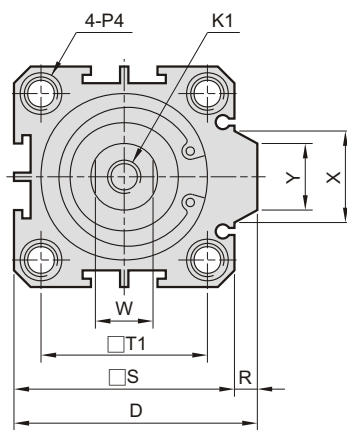
Bore $\phi 12, \phi 16$



Bore $\phi 20, \phi 25$



Bore $\phi 32 \sim \phi 50$



右列行程之本體長度 "C" 尺寸相同 : (5,10)(15,20)(25,30)(35,40)(45,50)(55,60)

The length "C" of cylinder body is same of the stroke: (5,10)(15,20)(25,30)(35,40)(45,50)(55,60)

Bore	CJI				CJIR				B1	B2	D	E	F	G	H	K1(內牙)	K2(外牙)	L
	行程 5~15 A	行程 20~30 C	行程 5~10 A	行程 25 C	行程 5~10 A	行程 25 C	行程 5~10 A	行程 25 C										
$\phi 12$	35	30.5	35	30.5	45	40.5	45	40.5	4.5	14.5	-	14.5	4.5	-	9	M3×P0.5×7L	M5×P0.8	9.8
$\phi 16$	35.2	31.5	35.2	31.5	45.2	41.5	45.2	41.5	3.7	13.7	-	13.7	3.7	-	9	M3×P0.5×7L	M5×P0.8	10
$\phi 20$	35	29.5	35	29.5	45	39.5	45	39.5	5.5	19.5	-	18	4	1.5	13	M4×P0.7×10L	M6×P1.0	13
$\phi 25$	37.2	31.2	37.2	31.2	47.2	41.2	47.2	41.2	6	22	-	20.1	4.1	2	15	M5×P0.8×10L	M8×P1.25	17
$\phi 32$	41	34	41	34	51	44	51	44	7	24	50	20.7	3.7	3.3	16	M6×P1.0×14L	M10×P1.25	22
$\phi 40$	43.5	36.5	43.5	36.5	53.5	46.5	53.5	46.5	7	34	58.5	30.7	3.7	3.3	25	M8×P1.25×14L	M14×P1.5	28
$\phi 50$	47.6	38.6	47.6	38.6	57.6	48.6	57.6	48.6	9	36	71.5	32.1	5.1	3.9	25	M10×P1.5×15L	M18×P1.5	38

Bore	M	N1	N3	O	P1	P2	P4		R	S	T1	T2	V	W	X	Y
							φ 4.3×2—M5×P0.8×6L, φ 6.5×4.5L	φ 5.1×2—M6×P1.0×8L, φ 8×6L								
$\phi 12$	3	7.5	6	M5×0.8	10.5	4.5	φ 4.3×2—M5×P0.8×6L, φ 6.5×4.5L		-	25	15.7	22.2	6	5	-	-
$\phi 16$	3	8	6.5	M5×0.8	10.5	4.5	φ 4.3×2—M5×P0.8×6L, φ 6.5×4.5L		-	29	19.8	28	6	5	-	-
$\phi 20$	3	7.5	-	M5×0.8	11	5	φ 4.3×2—M5×P0.8×6L, φ 7×5L		-	34	24	-	8	6	-	-
$\phi 25$	3	8	-	M5×0.8	14	6	φ 5.1×2—M6×P1.0×8L, φ 8×6L		-	40	28	-	10	8	-	-
$\phi 32$	3	9	-	PT 1/8	14	6	φ 5.1×2—M6×P1.0×8L, φ 8×6L		6	44	34	-	12	10	15	13.6
$\phi 40$	3	10	-	PT 1/8	18	8	φ 6.8×2—M8×P1.25×10L, φ 10×8L		6.5	52	40	-	16	14	15	13.6
$\phi 50$	3	10.8	-	PT 1/4	18.5	8.5	φ 6.8×2—M8×P1.25×10L, φ 11×8.5L		9.5	62	48	-	20	17	21.6	19

薄型氣壓缸

尺寸圖 Dimension $\phi 12 \sim \phi 50$

CJO / CJOR 單動常出型

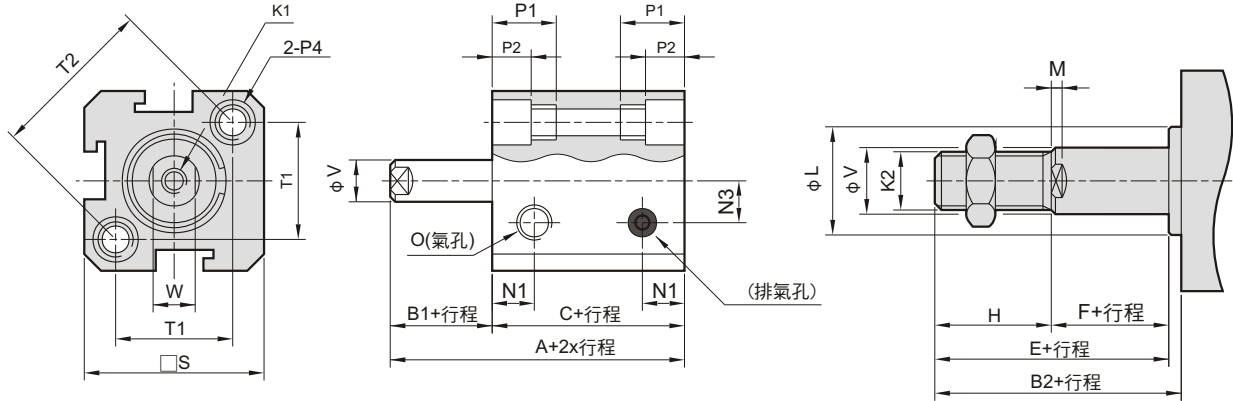
Single acting-normally extended piston rod type



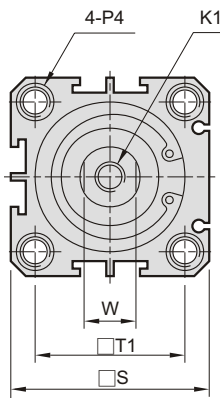
CJO..B



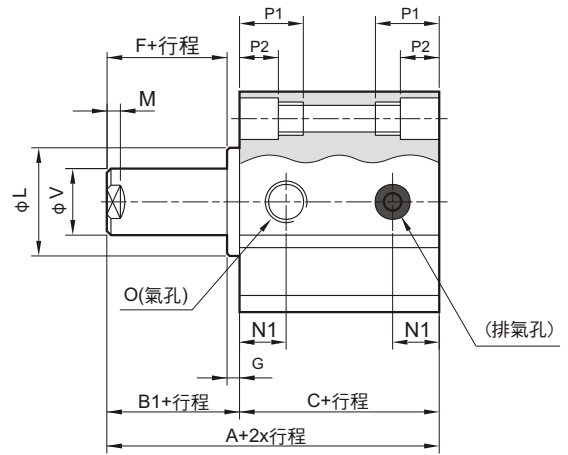
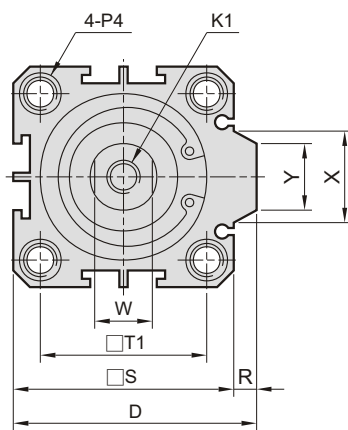
Bore $\phi 12, \phi 16$



Bore $\phi 20, \phi 25$



Bore $\phi 32 \sim \phi 50$



右列行程之本體長度 "C" 尺寸相同 : (5,10)(15,20)(25,30)(35,40)(45,50)(55,60)

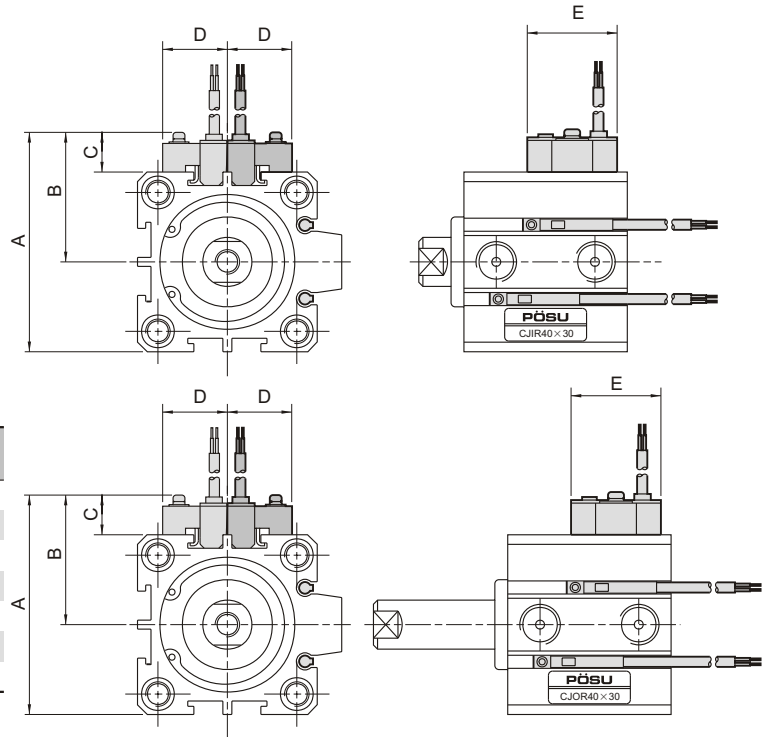
The length "C" of cylinder body is same of the stroke: (5,10)(15,20)(25,30)(35,40)(45,50)(55,60)

Bore	CJO				CJOR				B1	B2	D	E	F	G	H	K1(內牙)	K2(外牙)	L
	行程 5~15		行程 20~30		行程 5~10		行程 25											
	A	C	A	C	A	C	A	C										
$\phi 12$	35	30.5	35	30.5	45	40.5	45	40.5	4.5	14.5	-	14.5	4.5	-	9	M3×P0.5×7L	M5×P0.8	9.8
$\phi 16$	35.2	31.5	35.2	31.5	45.2	41.5	45.2	41.5	3.7	13.7	-	13.7	3.7	-	9	M3×P0.5×7L	M5×P0.8	10
$\phi 20$	35	29.5	35	29.5	45	39.5	45	39.5	5.5	19.5	-	18	4	1.5	13	M4×P0.7×10L	M6×P1.0	13
$\phi 25$	37.2	31.2	37.2	31.2	47.2	41.2	47.2	41.2	6	22	-	20.1	4.1	2	15	M5×P0.8×10L	M8×P1.25	17
$\phi 32$	41	34	41	34	51	44	51	44	7	24	50	20.7	3.7	3.3	16	M6×P1.0×14L	M10×P1.25	22
$\phi 40$	43.5	36.5	43.5	36.5	53.5	46.5	53.5	46.5	7	34	58.5	30.7	3.7	3.3	25	M8×P1.25×14L	M14×P1.5	28
$\phi 50$	47.6	38.6	47.6	38.6	57.6	48.6	57.6	48.6	9	36	71.5	32.1	5.1	3.9	25	M10×P1.5×15L	M18×P1.5	38

Bore	M	N1	N3	O	P1	P2	P4		R	S	T1	T2	V	W	X	Y
	A	C	A	C	A	C	A	C								
$\phi 12$	3	7.5	6	M5×0.8	10.5	4.5	$\phi 4.3 \times 2 - M5 \times P0.8 \times 6L, \phi 6.5 \times 4.5L$		-	25	15.7	22.2	6	5	-	-
$\phi 16$	3	8	6.5	M5×0.8	10.5	4.5	$\phi 4.3 \times 2 - M5 \times P0.8 \times 6L, \phi 6.5 \times 4.5L$		-	29	19.8	28	6	5	-	-
$\phi 20$	3	7.5	-	M5×0.8	11	5	$\phi 4.3 \times 2 - M5 \times P0.8 \times 6L, \phi 7 \times 5L$		-	34	24	-	8	6	-	-
$\phi 25$	3	8	-	M5×0.8	14	6	$\phi 5.1 \times 2 - M6 \times P1.0 \times 8L, \phi 8 \times 6L$		-	40	28	-	10	8	-	-
$\phi 32$	3	9	-	PT 1/8	14	6	$\phi 5.1 \times 2 - M6 \times P1.0 \times 8L, \phi 8 \times 6L$		6	44	34	-	12	10	15	13.6
$\phi 40$	3	10	-	PT 1/8	18	8	$\phi 6.8 \times 2 - M8 \times P1.25 \times 10L, \phi 10 \times 8L$		6.5	52	40	-	16	14	15	13.6
$\phi 50$	3	10.8	-	PT 1/4	18.5	8.5	$\phi 6.8 \times 2 - M8 \times P1.25 \times 10L, \phi 11 \times 8.5L$		9.5	62	48	-	20	17	21.6	19

近接開關 Sensor switches 尺寸圖 Dimension ϕ 12~ ϕ 50

CJI / CJO



Bore	近接開關型式 sensor switch	A	B	C	D	E
ϕ 12	LN01D	34.5	22	9.5	15.5	22
ϕ 16	LN01D	38.5	24	9.5	15.5	22
ϕ 20	LN01D	43.5	26.5	9.5	15.5	22
ϕ 25	LN01D	49.5	29.5	9.5	15.5	22
ϕ 32	LN01D	53.5	31.5	9.5	15.5	22
ϕ 40	LN01D	61.5	35.5	9.5	15.5	22
ϕ 50	LN01D	71.5	40.5	9.5	15.5	22

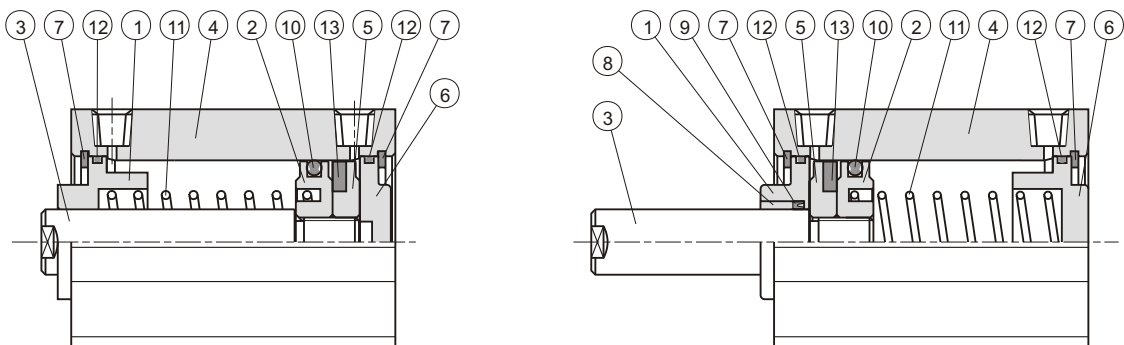
修理包 Seal Kit 訂購代號 Order No.

CJ I **SK 32** • 內徑 Bore



12	CJISK12 - Including No.10,12	12	CJOSK12 - Including No.9,10,12
16	CJISK16 - Including No.10,12	16	CJOSK16 - Including No.9,10,12
20	CJISK20 - Including No.10,12	20	CJOSK20 - Including No.9,10,12
25	CJISK25 - Including No.10,12	25	CJOSK25 - Including No.9,10,12
32	CJISK32 - Including No.10,12	32	CJOSK32 - Including No.9,10,12
40	CJISK40 - Including No.10,12	40	CJOSK40 - Including No.9,10,12
50	CJISK50 - Including No.10,12	50	CJOSK50 - Including No.9,10,12

內部結構 Inside structure & parts list



No.	零件名稱 part name	數量 Quantity	No.	零件名稱 part name	數量 Quantity	No.	零件名稱 part name	數量 Quantity
1	前蓋 Rod cover	1	6	後蓋 Head cover	1	11	壓縮彈簧 Spring	1
2	活塞本體 Piston	1	7	孔用扣環 Snap ring	2	12	前後蓋O型環 Cylinder gasket	2
3	活塞桿 Piston rod	1	8	乾式軸承 Oilless bearing	1	13	磁環 Magnet	1
4	氣缸本體 Cylinder tube	1	9	軸封 Rod packing	1			
5	磁環座 Magnet holder	1	10	活塞迫緊 Piston packing	1			